

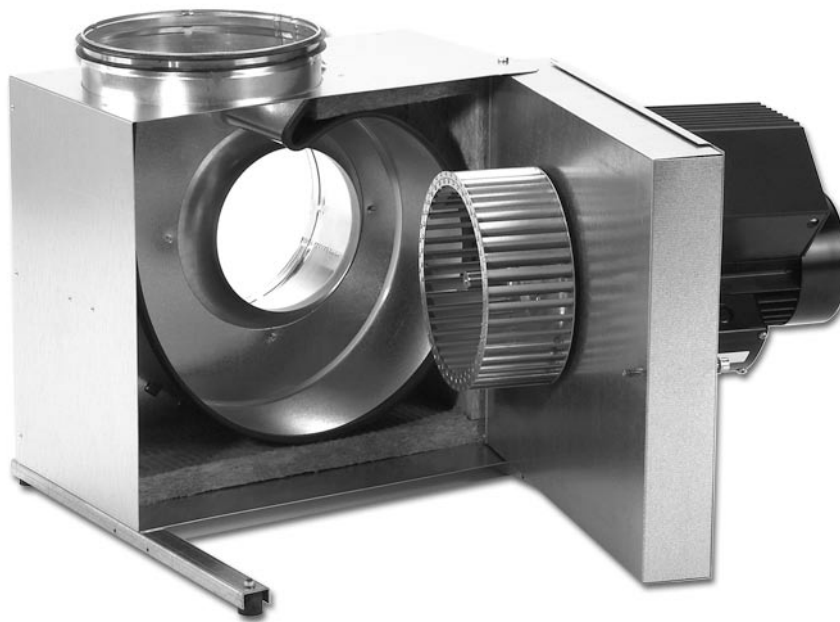
GB

DK

DE

NO

SE



BESF Version 2

BESF/7

GB - BESF - Product information

1.1 Design	4
1.2 Fitting	6
1.2.1 Fitting indoors	6
1.2.2 Fitting outdoors (OD).....	7
1.2.3 Fitting the mounting bars.....	7
1.3 Wiring	8
1.3.1 Ventilator without EC control.....	8
1.3.2 Ventilator with EC control.....	9
1.3.3 Troubleshooting DV-EC control.....	12
1.4 Connecting to duct system	13
1.5 Service and cleaning	14
1.6 Environmental declaration	14

DK - BESF - Produktvejledning

1.1 Opbygning	16
1.2 Montage	18
1.2.1 Indendørs placering	19
1.2.2 Udendørs placering (OD).....	19
1.2.3 Montage af bæreskinner	19
1.3 El-tilslutning	20
1.3.1 Ventilatorer uden EC-styring	20
1.3.2 Ventilatorer med EC-styring	21
1.3.3 Fejlfinding for DV-EC-styring.....	24
1.4 Kanaltilslutning	25
1.5 Service og rengøring	26
1.6 Miljødeklaration	26

DE - BESF - Betriebsanleitung

1.1 Aufbau	28
1.2 Montage	30
1.2.1 Aufstellung in Innenräumen	30
1.2.2 Aufstellung im Freien (OD).....	31
1.2.3 Montage von Tragschienen.....	31
1.3 Elektrischer Anschluss	32
1.3.1 Ventilatoren ohne EC-Automatik.....	32
1.3.2 Ventilatoren mit EC-Automatik	33
1.3.3 Fehlersuche bei DV-EC-Automatik	46
1.4 Kanalanschluss	37
1.5 Wartung und Reinigung	38
1.6 Umweltdeklaration	39

NO - BESF - Produktveiledning

1.1 Oppbygning	40
1.2 Montering	42
1.2.1 Innendørs plassering	42
1.2.2 Utendørs plassering (OD)	43
1.2.3 Montering av bæreskinner.....	43
1.3 Elektrisk tilkobling	44
1.3.1 Vifter uten EC-styring	44
1.3.2 Vifter med EC-styring	45
1.3.3 Feilsøking for DV-EC-styring.....	48
1.4 Kanaltilkobling	49
1.5 Service og rengjøring	50
1.6 Miljødeklarasjon	50

SE – BESF – Produkthandbok

1.1 Konstruktion	52
1.2 Montering	54
1.2.1 Inomhusmontering	54
1.2.2 Placering utomhus (OD).....	55
1.2.3 Montering av bärskenor.....	55
1.3 Elanslutning	56
1.3.1 Fläktar utan EC-styrning.....	56
1.3.2 Fläktar med EC-styrning.....	57
1.3.3 Felsökning för DV-EC-styrning.....	60
1.4 Kanalanslutning	61
1.5 Service och rengöring	62
1.6 Miljödeklaration	62

1. GB - BESF – Product information

EXHAUSTO BESF box ventilators are used in air supply and extraction systems.



The ventilator is not to be used for the transportation of solid particles, nor in areas where there is a risk of explosive gases.



The ventilator must not be started with the service door open.

1.1 Design

Description BESF is a low-noise centrifugal ventilator with complete insulation and an F-impeller:

- BESF146-4-1
- BESF160-4-1
- BESF180-4-1EC2
- BESF200-4-1EC2
- BESF160-2-1EC2
- BESF225-4-1EC2
- BESF250-4-1EC2
- BESF280-4-3EC

The ventilator has an internal insulated laminar housing and an external cabinet made of sheet aluminium.

Temperature limits

Type	Temperature - medium		Temperature – ambient, running	
	Min.	Max.	Min.	Max.
BESF	-12°C	60°C	-30°C	40°C

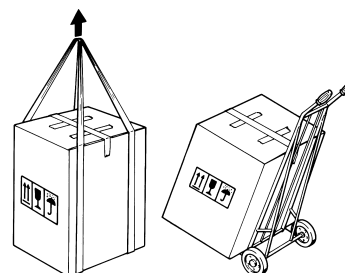
Spigot size

The ventilator’s connection size conforms to Eurovent.

BESF	146	160/180	200/225	250/280
D (mm)	Ø 160	Ø 200	Ø 250	Ø 315

Transport

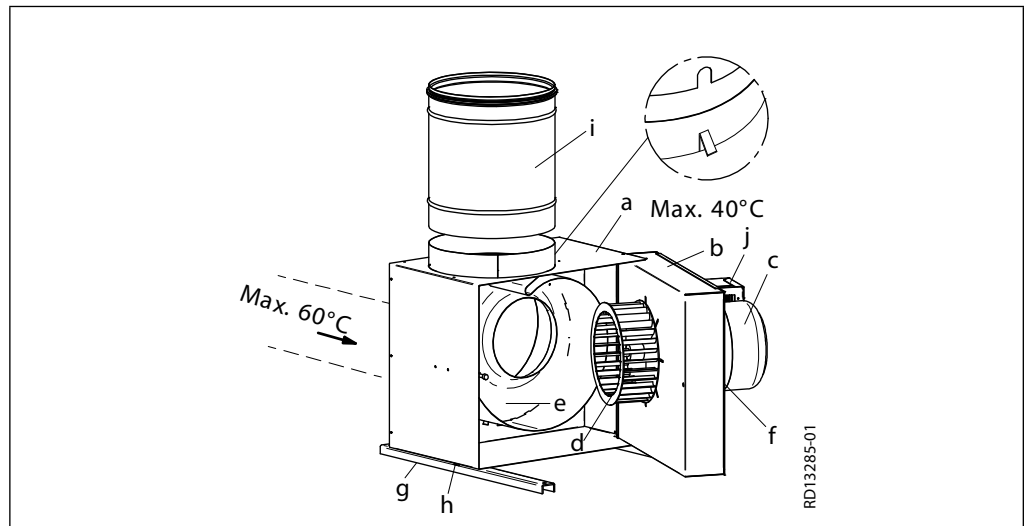
The ventilator is delivered packaged and can be transported on a hand trolley. Care must be taken to avoid any damage to the cabinet and spigots when the ventilator has been removed from its packaging.



Size and weight.

BESF	146	160	180	200	225	250	280	
Weight kg	13	17	22 (EC)	23	27	32	41	49

Main parts



Pos.	Part
a	Cabinet
b	Service door
c	Motor
d	Centrifugal impeller
e	Ventilator housing
f	Locking screws (supplied with screwdriver)
g	Mounting bars with vibration dampers
h	Self-tapping screws
i	OSGR coupling (accessory). When fitting the OGSR, the slit must always be opposite the rivet, so that the guide plates are turned correctly.
j	EC control/terminal box

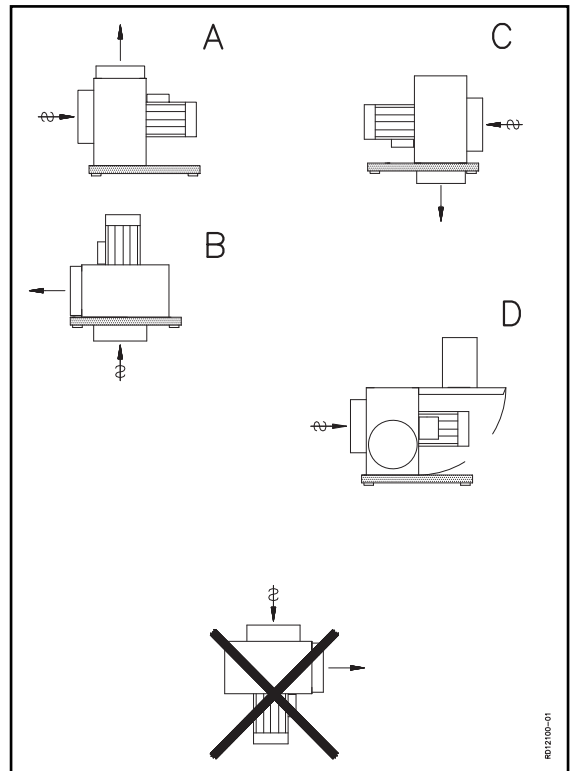
1.2 Fitting

1.2.1 Fitting indoors



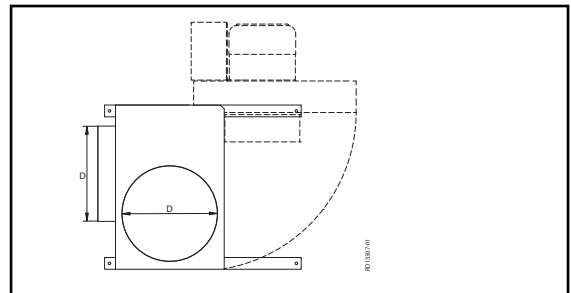
There are various ways of fitting the ventilator indoors.

If the ventilator is to run intermittently, there is a risk of condensation in the motor. Therefore, use mounting method A or B only.



Service access

Wherever the ventilator is fitted, there should be space enough to be able to open the service door to an angle of approx. 90°.



Warning!



The motor must never be placed vertically under the cabinet, and the motor and EC-controls must never be covered or they will overheat.

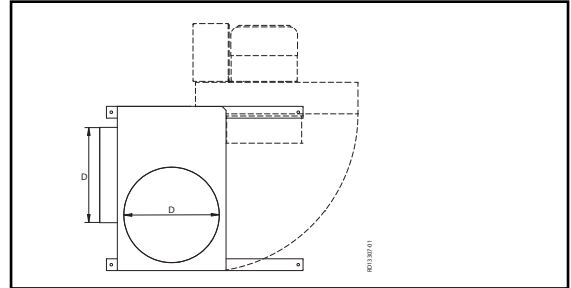
1.2.2 Fitting outdoors (OD)



Outdoor placement of BESF is NOT allowed. When outdoor placement is required, use BESB/BSFxxxxxxOD.

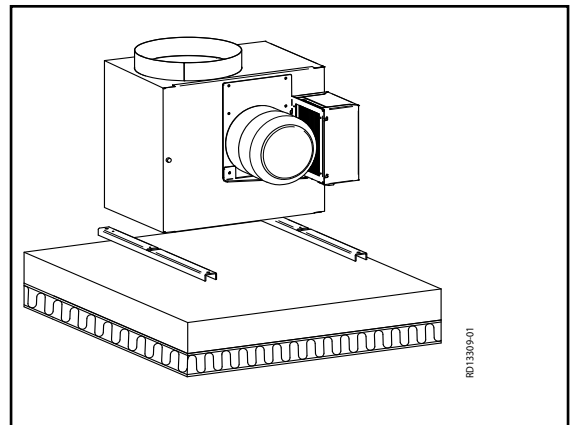
Service access

Wherever the ventilator is fitted, there should be enough space to be able to open the service door to an angle of approx. 90° and to access the locking screws.



1.2.3 Fitting the mounting bars

- Mounting should be done on a stable vibration-resistant base, to minimise any vibration that might be caused by the ventilator. A cement slab placed on a wooden base construction is recommended.
- Fit the mounting bars on the cabinet with the supplied fitting screws. The cabinet has holes already bored for fitting method A.
- Place the ventilator on the supporting base. Do not fasten the ventilator to the base.



1.3 Wiring

General



The wiring must only be done by a qualified electrician.

The fan and motor specifications are listed on the type-plates.
Max. fuse rating = 13 Amp.

If the fuse is a	...it must have the characteristic
melting fuse	gG or gM.

If the fuse is a	...it must have the characteristic
control fuse	B or C, and comply with IEC 90947-2. -

Max. short circuit current is 10 kA

At start-up and during the initial adjustment of the fan, it is important to control the direction of rotation of the motor and to check the motor current does not exceed the manufacturer's recommended operating current for the motor (to avoid damaging the motor).

Isolation switch



EXHAUSTO A/S would like to draw attention to the fact that, in accordance with the EU's Machine Directive (appendix 1) all fan systems shall include a isolation switch.

The isolation switch must ...

- be lockable or positioned in plain sight in the immediate vicinity of the fan
- be able to disconnect all poles from the supply voltage
 - contact distance of at least 3 mm in each pole
- Set up as isolation switch in accordance with standard IEC 60947-1 or IEC 60947-3.

The isolation switch is not supplied by EXHAUSTO.

Lightning conductor

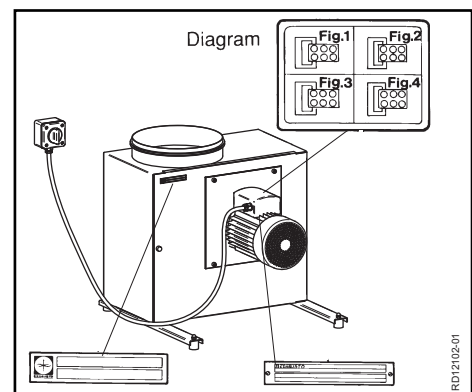
Any lightning conductor connected to the fan must be in accordance with applicable regulations and legislation.

1.3.1 Ventilator without EC control

Wiring should be done as stipulated in the electrical drawing in the door of the motor's terminal box.

1.3.1.1 BESF146-4-1 & BESF160-4-1

All one-phase ventilators are voltage regulated. The motor is fitted with a thermal cut-out. The thermal cut-out is factory-fitted, wired in series to the motor's power circuit (please see wiring diagram in the terminal box, Fig. 1). Use the wiring diagram (Fig. 2) if a manual reset is required after a thermal cut-out, where the thermal cut-out is used as a contact in the control circuit. The motor has overload protection.



1.3.2 Ventilator with EC control

- General** Ventilators marked “EC” have built-in EC control system.
- Cables** The wiring for control signal inputs must be completely insulated from the supply wirings.
- NB** Due to EMC requirements the cable between the EC control and the EC motor must not be elongated.

ESD



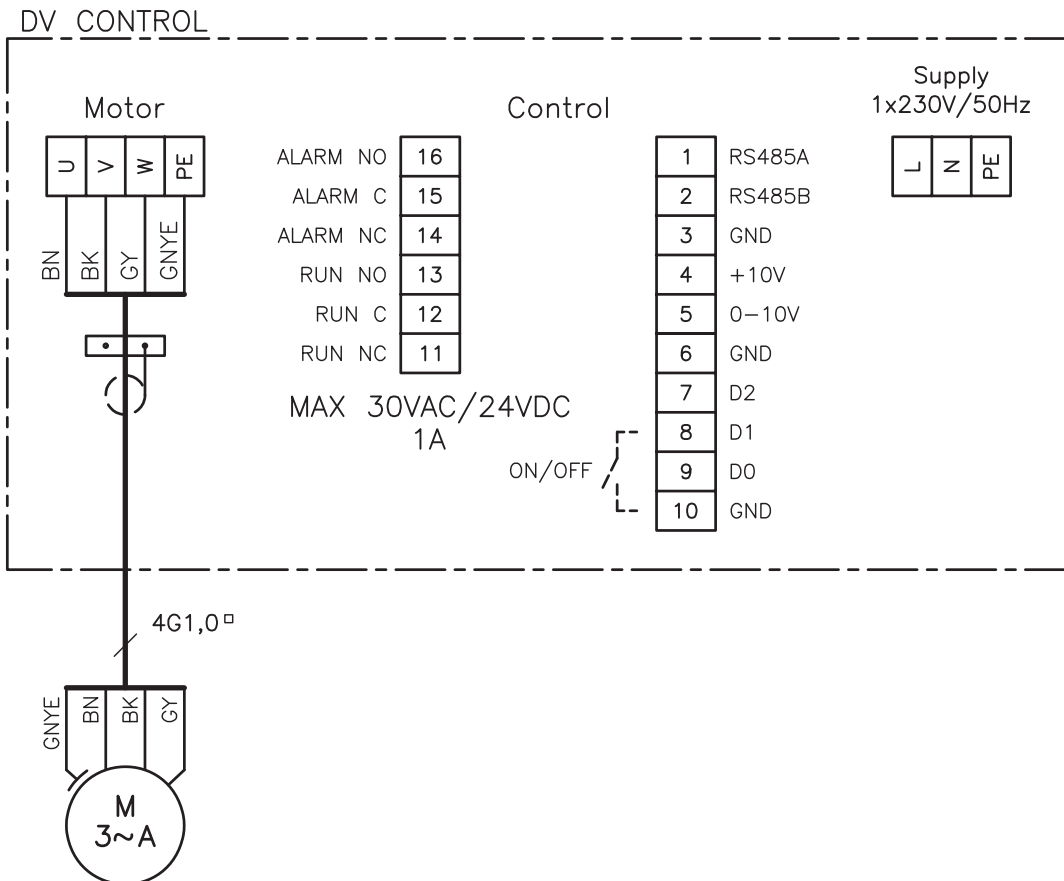
The electrician must be ESD protected when

- detaching the cover on the EC control
- working with the EC control

1.3.2.1 BESF180-4-1EC2, BESF200-4-1EC2, BESF160-2-1EC2, BESF225-4-1EC2 & BESF250-4-1EC2

Cable type Cables for control signals must be with twisted pair conductors. As a minimum, the cable type must be CAT5e Ethernet cable.

Diagram

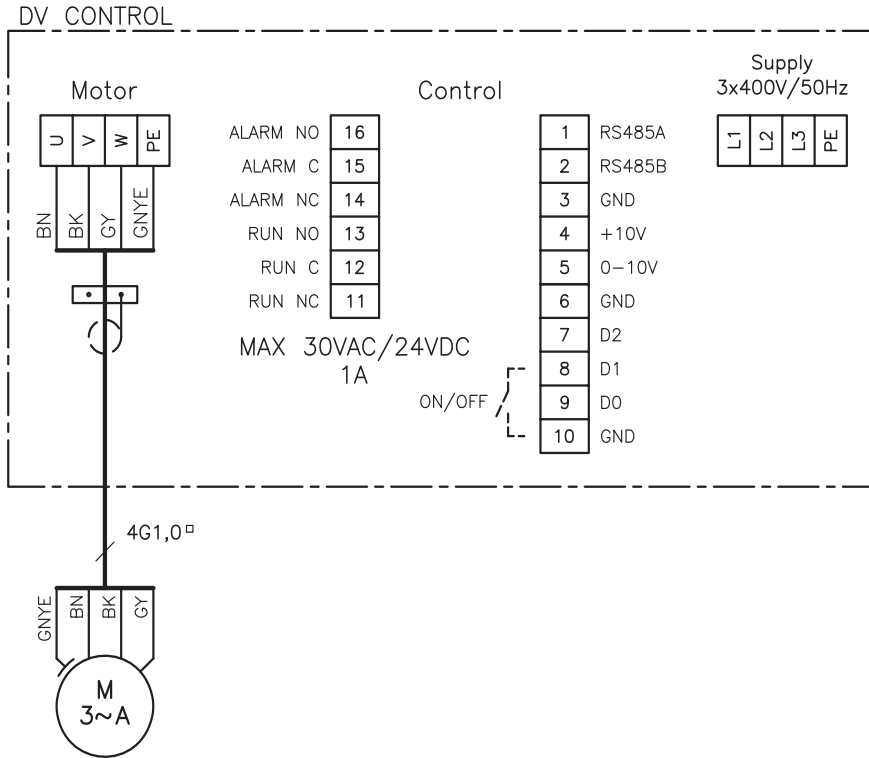


RD14468-01

1.3.2.2 BESF280-4-3EC

Cable type Cables for control signals must be shielded.

Diagram



Key to diagram

Terminal		
OJ DV Control	EFC1P/EFC1P2 Panel	Signal description
1		RS485 (+A)
2		RS485 (-B)
3		0V DC (chassis)
4	5	+10V DC
5	4	0-10V DC
6	3	0V DC (chassis)
7		-
8	2	Start/stop
9		-
10		0V DC (chassis)
11		Run NC
12		Run C
13		Run NO
14		Alarm NC
15	B	Alarm C
16	A	Alarm NO

RD14173-01

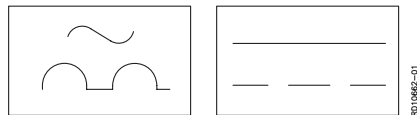
Leakage current The EC control produces a leakage current when running. The leakage current must be earthed, as there is a risk of the motor becoming live.

RCD protection of 300 mA is recommended, as leakage currents of more than 30 mA can occur.

To comply with EN50178, the fan must be suitably earthed.

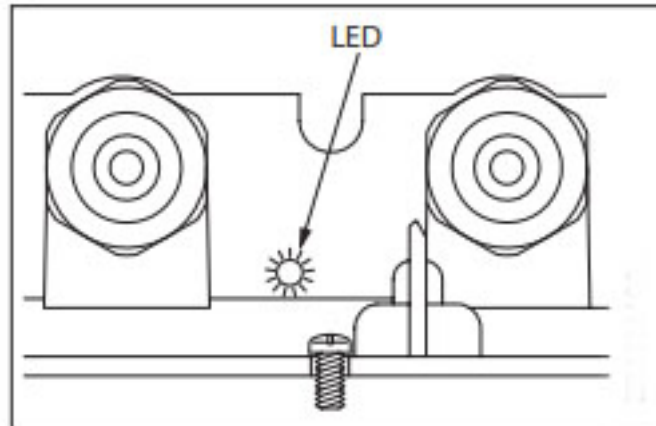
Earth leak circuit breakers **If current earth leak circuit breakers are fitted in the installation, they must be of a type that meets the following requirements:**

- PFI type B breaker according to EN 61008, that breaks the circuit when a vagrant current with DC content (pulsating DC) or smooth vagrant current is registered.
- The circuit breakers must be marked with the following symbols:



1.3.3 Troubleshooting DV-EC control

DV-EC-control



LED indicator

- The DV-EC control is equipped with a two-coloured green and red LED indicator of the different operating modes.
- The LED is located on the underside of the control unit next to the cable entry for the main voltage connection.

Troubleshooting chart

- Steady green when main voltage is connected.
- Flashes green when Modbus communication is active.
- Steady red for at least one critical alarm.
- Flashes red for at least one non-critical alarm.
- LED error indicator:
 - 1 flash = Supply problem
 - 3 flashes = Internal DV problem
 - 5 flashes = motor problem

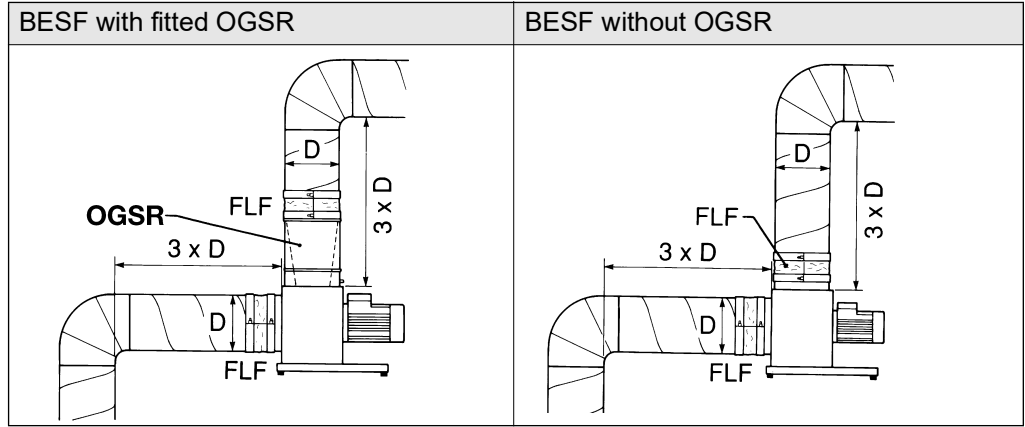
Accessory

- A handheld terminal for operation and alarm information can be purchased as an accessory.

1.4 Connecting to duct system

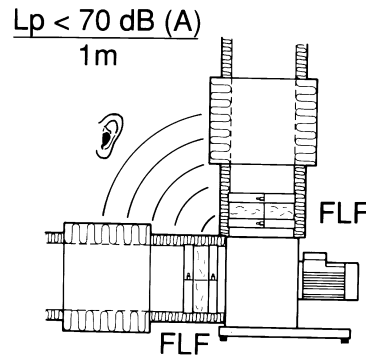
Ducts

To achieve maximum performance with minimal energy consumption the ventilator should be connected to the duct system with the specified lengths of duct before and after the ventilator. The ventilator must always be connected to the duct system using FLF to avoid any chance of vibrations being transmitted. The spigots on the ventilator and the OGSR are fitted with rubber seals.



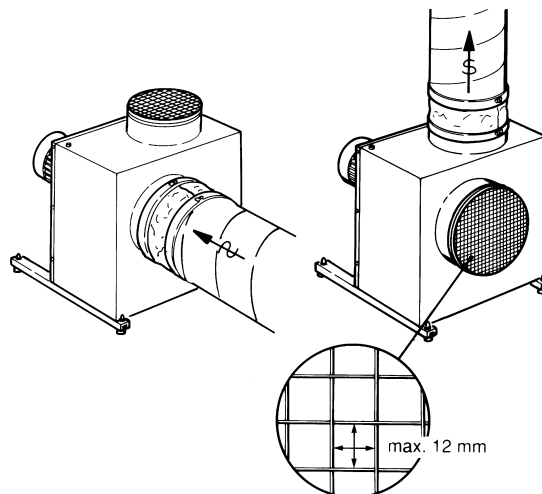
Sound

The ventilator is fitted with mufflers in accordance with the requirements of the operating area. The sound pressure for all types of BESF is less than 70 dB (A). The duct system must be insulated against sound propagation, heat loss and condensation.



Protective net

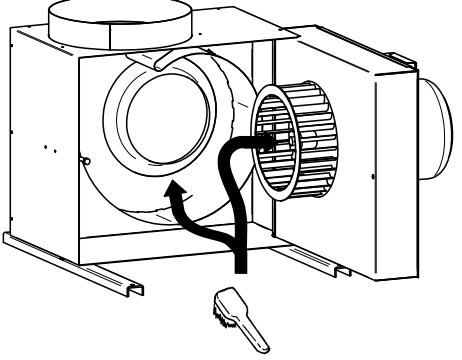
A protective net (accessory) with a mesh size of 12 mm must be fitted if the ventilator is not fitted to a duct.



1.5 Service and cleaning

Cleaning

The ventilator must be cleaned at least twice a year. To clean the ventilator:

Step	Action	
1	Switch off the power supply to the unit using the isolation switch	
2	Open the service door.	
3	Wash the ventilator housing and the centrifugal impeller thoroughly with soap and water. The parts must be dry and the service door closed before the ventilator is restarted.	
4	The centrifugal impeller can be removed and cleaned. Measure the exact position of the impeller on the axle before removing it. Make sure that any weights on the centrifugal impeller are not removed. Make sure that cooling air can move freely through the motor cover.	

Warning!



If, once reassembled, the ventilator vibrates violently this might be due to an imbalance caused by dirt on the centrifugal impeller.

Warranty

EXHAUSTO provides a two-year factory warranty on the ventilator, valid from invoice date.

1.6 Environmental declaration

Product description

EXHAUSTO BESF is a an easily serviced radial fan with forward curved blades. The fan is insulated against fire, noise and heat with 30 mm of mineral wool. The fan impeller is directly mounted on the motor shaft, thus reducing losses and wear and resulting in lower repair costs.

Service and cleaning is done by opening the hinged cover. This provides access to all parts in contact with the air. The motor is mounted outside the airstream. The fan is supplied with mounting rails with vibration dampers. The fan is CE approved and EMC tested in accordance with the applicable directives.

Materials used

Cabinet, screw, fan housing and support rails are made of recycleable hot-dip galvanised steel sheet. The insulation consists of mineral wool which can be recycled after dismantling the fan. The gaskets consist of CFC and HCFC free cellular rubber. The motor consists of aluminium, steel and copper, and in some cases a plastic cooling jacket. The packaging consists of corrugated cardboard.

Materials in %

	BESF146	BESF160	BESF 160EC2	BESF 180EC2	BESF 200EC2	BESF 225EC2	BESF 250EC2	BESF 280EC
Aluminium	10%	10%	13%	10%	8%	11%	10%	9%
Fe	75%	76%	70%	74%	75%	75%	78%	77%
Copper	4%	4%	2%	2%	2%	3%	4%	4%
Mineral wool	6%	6%	4%	5%	6%	5%	5%	5%
PCB; electronic components	1%	1%	7%	7%	6%	4%	2%	3%
Plastic, cellular rubber	1%	1%	1%	< 1%	1%	< 1%	1%	< 1%
Other	2%	2%	3%	2%	2%	2%	1%	1%

1. DK - BESF - Produktvejledning

EXHAUSTO boxventilator BESF anvendes til transport af luft i indblæsnings- og udsugningsanlæg.



Ventilatoren må ikke anvendes til transport af faste partikler, eller hvor der er risiko for eksplosive gasarter.



Ventilatoren må ikke startes med åben servicelåge.

1.1 Opbygning

Beskrivelse

BESF er en totaliseret og lydsvag centrifugalventilator med F-hjul:

- BESF146-4-1
- BESF160-4-1
- BESF180-4-1EC2
- BESF200-4-1EC2
- BESF160-2-1EC2
- BESF225-4-1EC2
- BESF250-4-1EC2
- BESF280-4-3EC

Ventilatoren består indvendigt af et pladeformet ventilatorhus, som er isoleret, og udvendigt af et kabinet af galvaniseret plade

Temperaturgrænser

Variant	Temperatur - medie		Temperatur - omivelser, drift	
	Min.	Max.	Min.	Max.
BESF	-12°C	60°C	-30°C	40°C

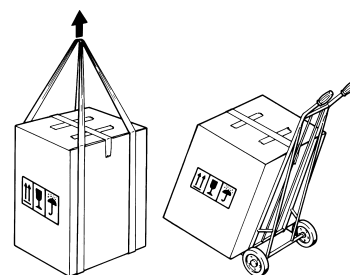
Studsmål

Ventilatorens studsmål er i overensstemmelse med Eurovent.

BESF	146	160/180	200/225	250/280
D (mm)	Ø 160	Ø 200	Ø 250	Ø 315

Transport

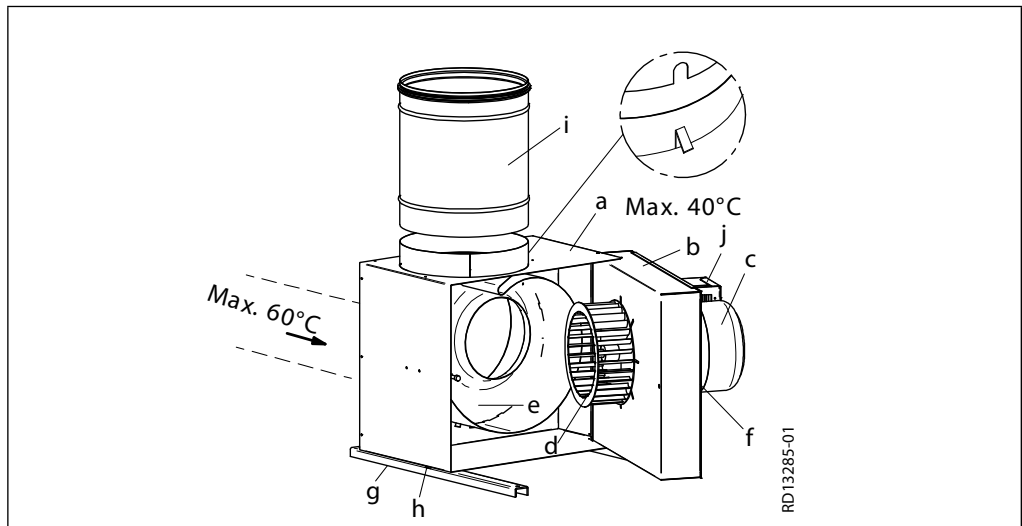
Ventilatoren leveres emballeret og kan transporteres på sækkevogn. Efter udpakning skal ventilatoren transporteres og behandles, således at kabinettet og studse ikke deformeres.



Størrelse og vægt

BESF	146	160	180	200	225	250	280	
Vægt - kg	13	17	22(EC)	23	27	32	41	49

Hovedkomponenter



Pos.	Part
a	Kabinet
b	Servicelåge
c	Motor
d	Centrifugalhjul
e	Ventilatorhus
f	Låseskrue (værktøj medleveres)
g	Bæreskinner med svingningsdæmpere
h	Selvskærende skruer
i	Overgangsstykke OSGR (tilbehør). (Ved montage af OSGR skal slidsen altid være ud for tappen, således at ledepladerne vender korrekt).
j	EC-styring/klemkasse

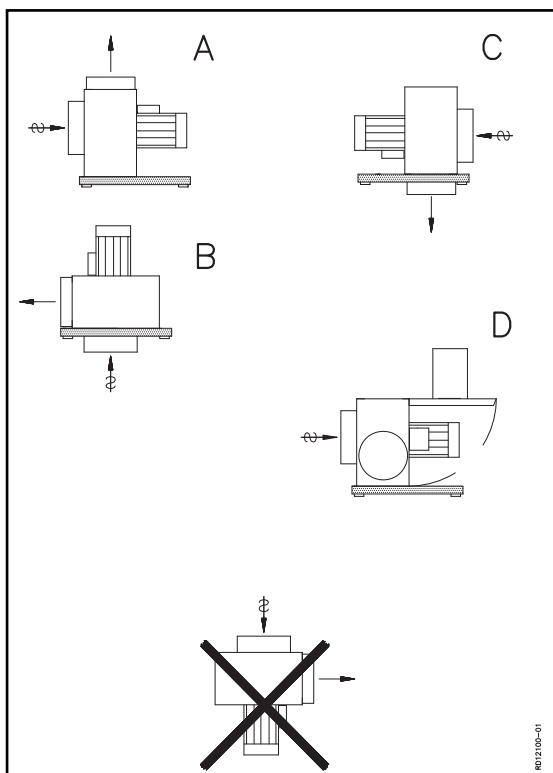
1.2 Montage

1.2.1 Indendørs placering



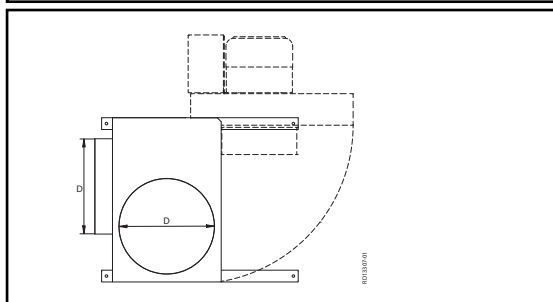
Ventilatoren kan indendørs monteres på forskellige måder.

Ved intermitterende drift, hvor der er risiko for kondensvand i motoren, må kun monteringsmetode A og B benyttes.



Serviceadgang

Ved udvælgelse af den nøjagtige placering skal der være plads til, at servicelågen kan åbnes 90°.



Advarsel



Motoren må aldrig placeres lodret under kabinettet og desuden skal det sikres, at motor og EC-styring ikke tildækkes, da det vil kunne forårsage overophedning.

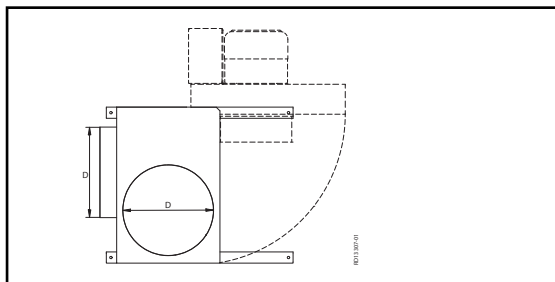
1.2.2 Udendørs placering (OD)



Udendørs placering af BESF er IKKE tilladt. Ved udendørs placering kan i stedet benyttes BESB/BSFxxxxxxOD.

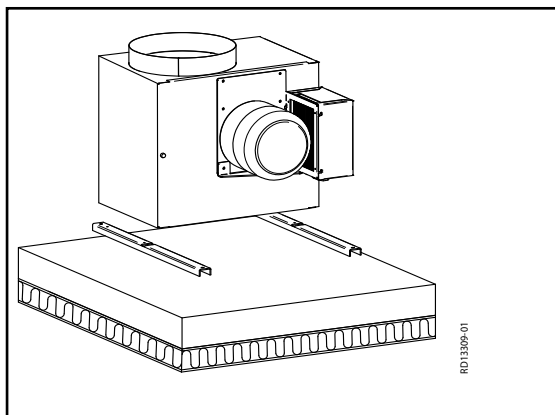
Serviceadgang

Ved udvælgelse af den nøjagtige placering skal der være plads til, at servicelågen kan åbnes ca. 90° og der skal være adgang til låseskruerne.



1.2.3 Montage af bæreskiner

- Underlaget skal være plant, stabilt og svingningsdødt for at minimere overførslen af eventuelle svingninger fra ventilatoren. Anvend f.eks. en cementflise oven på en solid trækonstruktion.
- Monter bæreskinerne på kabinettet med de medleverede skruer. I monteringsmetode A er kabinettet forboret.
- Stil ventilatoren løst oven på underlaget. Den skal ikke fastspændes.



1.3 EI-tilslutning

Generelt



EI-installationen skal foretages af autoriseret el-installatør.

Ventilator- og motorspecifikationer fremgår af de monterede typeskilte.

Max. forsikring = 13 Amp. Max. kortslutningsstrøm er 10 kA

Hvis forsikringen er en	...skal den være med karakteristik
smeltesikring	gG eller gM.
automatsikring	B eller C, og opfylde IEC 90947-2.

Ved opstart og indregulering af ventilationsanlægget er det vigtigt at kontrollere motorens omløbsretning, og at strømforbruget ikke overstiger mærkestrømmen på typeskiltet, da det vil medføre overbelastning af motoren.

Forsyningsadskiller



EXHAUSTO A/S gør opmærksom på, at der i henhold til Maskindirektivet (bilag 1) skal opsættes en forsyningsadskiller i den faste installation af ventilatoren.

Forsyningsadskilleren skal...

- være aflåselig, eller placeres synligt i nærheden af ventilatoren.
- kunne afbryde alle poler fra forsyningsspændingen
 - kontaktafstand min. 3 mm i hver pol.
- udføres som forsyningsadskiller i hht. IEC 60947-1 eller IEC 60947-3

Forsyningsadskilleren er ikke en del af EXHAUSTO's leverance.

Lynafledning...

...skal ske i henhold til gældende love og bestemmelser.

1.3.1 Ventilator uden EC-styring

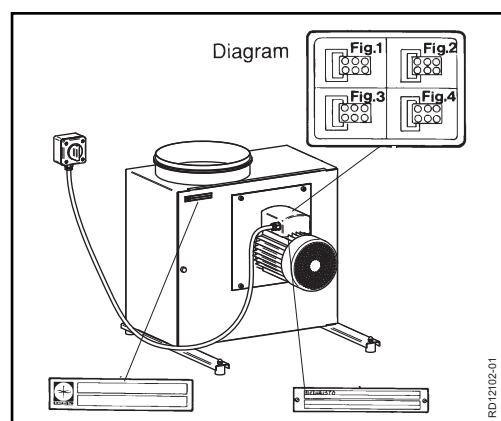
EI-tilslutning

EI-tilslutningen foretages iht. el-diagrammet, der findes i låget på motorens klemkasse.

1.3.1.1 BESF146-4-1 & BESF160-4-1

Alle 1-fasede ventilatorer er spændingsregulerbare.

Motoren er forsynet med termosikring. Termosikringen er fra fabrikken koblet i serie med motorens strømkreds (eldiagram i klemkassen fig. 1). Hvis der ønskes manuelt reset ved termisk udfald, anvendes el-diagram fig. 2, hvor termosikringen anvendes i styrekredsen for en kontaktor. Motoren er overbelastningsbeskyttet.



1.3.2 Ventilator med EC-styring

- Generelt** Alle ventilatorer med typebetegnelsen "EC" er regulerbare via den indbyggede EC-styring.
- Kabler** De ledninger, der skal tilsluttes styresignal-indgangene, skal i hele deres længde have en forstærket isolering i forhold til forsyningsledningerne.
- Bemærk** Pga. EMC-krav må kablet mellem EC-styringen og EC-motoren ikke forlænges.

ESD



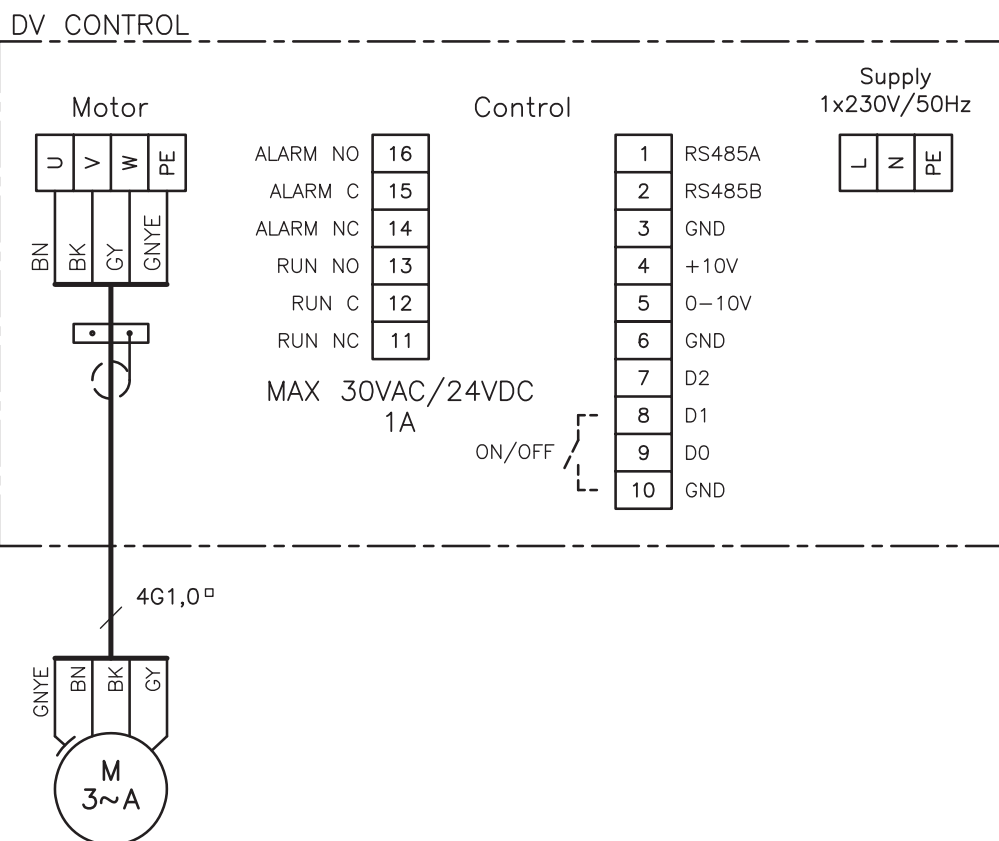
Elektrikeren skal være ESD-beskyttet:

- når låget på EC-styringen demonteres
- under arbejdet med EC-styringen

1.3.2.1 BESF180-4-1EC2, BESF200-4-1EC2, BESF160-2-1EC2, BESF225-4-1EC2 & BESF250-4-1EC2

- Kabeltype** Kabler til styresignaler skal være med parsnoede ledere. Kabeltypen skal minimum være CAT5e Ethernet kabel.

Diagram

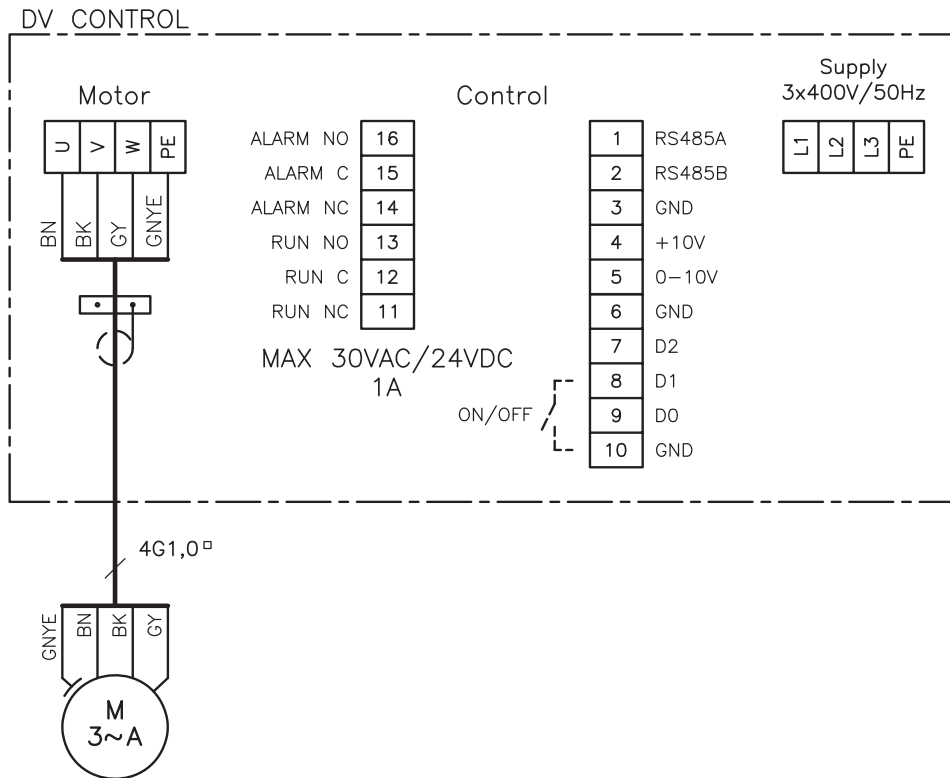


RD14468-01

1.3.2.2 BESF280-4-3EC

Kabeltype Kabler til styresignaler skal være skærmede.

Diagram



Forklaring til diagram

Klemme		
OJ DV Control	EFC1P/EFC1P2 Panel	Signal description
1		RS485 (+A)
2		RS485 (-B)
3		0V DC (stel)
4	5	+10V DC
5	4	0-10V DC
6	3	0V DC (stel)
7		-
8	2	Start/stop
9		-
10		0V DC (stel)
11		Run NC
12		Run C
13		Run NO
14		Alarm NC
15	B	Alarm C
16	A	Alarm NO

RD14173-01

Lækstrøm

EC-styringen afgiver under drift en lækstrøm. Lækstrømmen skal ledes til jord, da der ellers er risiko for, at motoren bliver spændingsførende.

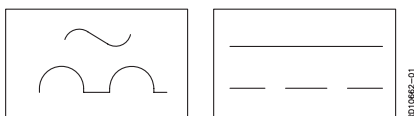
Det anbefales at benytte RCD beskyttelse på 300 mA, da der kan forekomme lækstrømme på over 30 mA.

For at overholde EN50178 skal ventilatoren tilsluttes forstærket jord.

Fejlstrømsrelæer

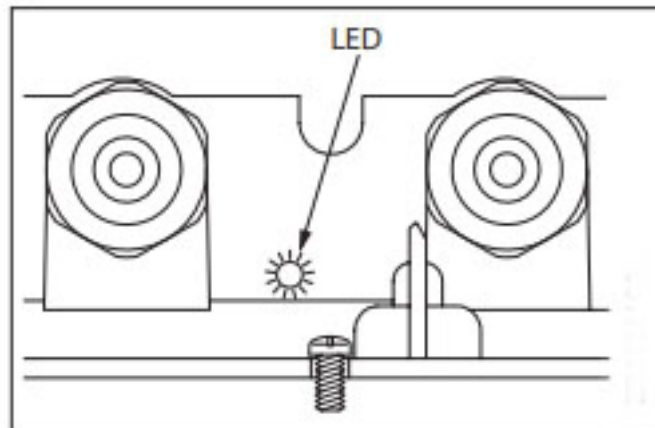
Hvis der monteres fejlstrømsafbrydere i installationen, skal disse være af en type, som overholder følgende krav:

- PFI-afbryder type B i henhold til EN 61008, som afbryder, når der registreres fejlstrømme med DC indhold (pulserende jævnstrøm) og glatte fejlstrømme
- Fejlstrømsafbryderne skal være mærket med følgende symboler:



1.3.3 Fejlfinding for DV-EC-styring

DV-EC-styring



LED-indikeringer

- DV-EC-styring er forsynet med en 2-farvet hhv. grøn og rød LED indikering af forskellige driftstilstande.
- LED er placeret på undersiden af styringen ved siden af kabelindføring til nettilslutning.

Fejlfinding

- Konstant grøn ved tilsluttet netspænding
- Blinker grønt ved aktiv Modbus-kommunikation.
- Konstant rød ved mindst én kritisk alarm.
- Blinker rødt ved mindst én ikke-kritisk alarm.
- LED-fejlindikator:
 - 1 blink = Forsyningsproblem
 - 3 blink = Internt DV-problem
 - 5 blink = Motorproblem

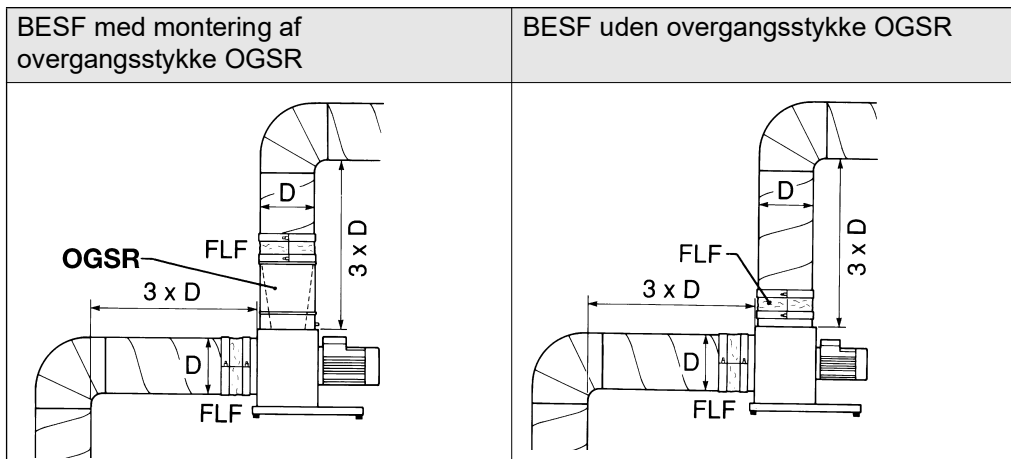
Tilbehør

- Som tilbehør kan købes håndterminal til betjening og alarm info.

1.4 Kanaltilslutning

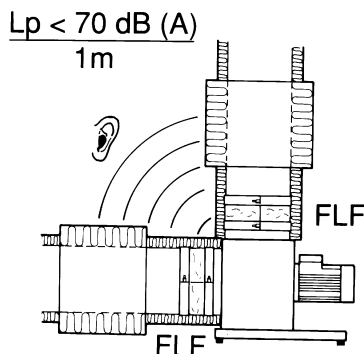
Kanaler

For at opnå maksimal ydelse skal ventilatoren tilsluttes kanalsystemet med de angivne længder lige kanal før og efter ventilatoren. Der skal altid monteres fleksible forbindelser type FLF for at undgå overførsel af eventuelle vibrationer. Studsene på ventilatoren og overgangsstykket OGSR er monteret med gummitætning.



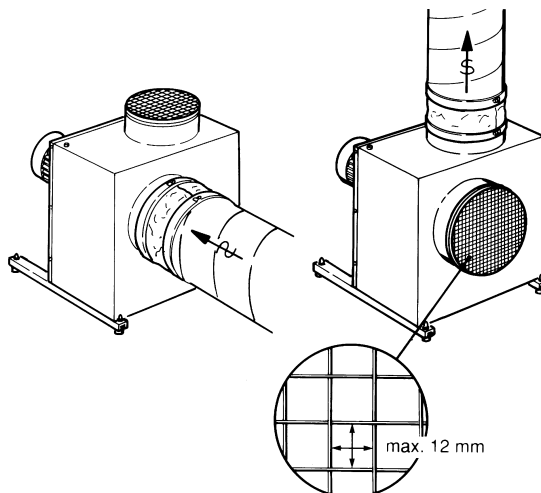
Lyd

Ventilatoren monteres med lyddæmpere i henhold til kravene i betjeningsområdet. Lydtrykniveauet til omgivelserne er for alle typer BESF under 70 dB (A). Af hensyn til lydudtrængning, varmetab og kondensation skal kanalsystemet isoleres.



Beskyttelsesnet

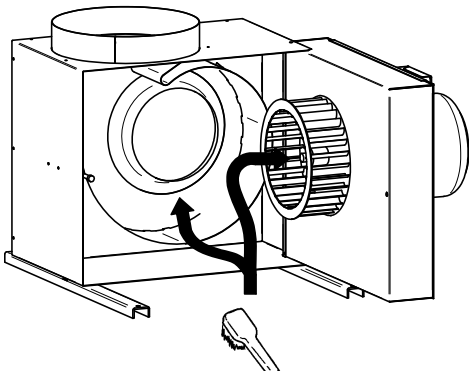
Hvis ventilatoren opstilles uden kanaltilslutning, skal der monteres beskyttelsesnet (ekstra tilbehør) med største maskevidde på 12 mm.



1.5 Service og rengøring

Rengøring

Rengøring af ventilatoren foretages efter behov, dog minimum hver 6. måned, på følgende måde:

Trin	Handling	
1	Strømmen til ventilatoren afbrydes på forsyningsadskilleren.	
2	Servicelågen åbnes.	
3	Ventilatorhus og centrifugalhjul vaskes grundigt med sæbevand. Delene skal være tørre inden genopstart af ventilatoren, og den må IKKE startes med åben servicelåge	
4	Centrifugalhjulet kan demonteres og renses. Mål hjulets nøjagtige placering på akslen inden demontering. Eventuelle afvejningsklodser på centrifugalhjulet må ikke fjernes. Kontrollér, at der er fri adgang for køleluft igennem motordækslet.	

Advarsel



Hvis der forekommer rystelser i ventilatoren, kan det skyldes ubalance som følge af tilsmudset centrifugalhjul.

Garanti

EXHAUSTO yder 2 års fabriksgaranti på ventilatoren, fra fakturadato.

1.6 Miljødeklaration

Produktbeskrivelse EXHAUSTO BESF er en let servicérbar radialventilator med fremadrettede skovle. Ventilatoren er brand, lyd og varmeisoleret med 30mm mineraluld. Ventilatorhjulet er direkte monteret på motorakslen hvilket mindsker tab og indebærer færre sliddele og deraf færre reparationsomkostninger.

Service og rengøring sker ved at åbne den hængslede låge. Derved fås adgang til alle dele der er i kontakt med luften. Motoren er monteret udenfor luftstrømmen. Til ventilatoren medleveres støtteskiner med vibrationsdæmpere. Ventilatoren er CE-godkendt og EMC testet i henhold til gældende direktiver.

Indgående materialer

Ventilatorhus, snegl, ventilatorhjul samt støtteskiner er lavet af varmgalvaniseret stålplade som kan genindvindes. Isoleringen består af mineraluld, som kan genbruges ved demontering af ventilatoren. Tætningslister består af CFC og HCFC frit cellegummi. Motoren består af aluminium, stål, kobber og eventuelt en plast kølekappe. Emballagen består af bølgepap.

Materiale oversigt

	BESF146	BESF160	BESF 160EC2	BESF 180EC2	BESF 200EC2	BESF 225EC2	BESF 250EC2	BESF 280EC
Aluminium	10%	10%	13%	10%	8%	11%	10%	9%
Fe	75%	76%	70%	74%	75%	75%	78%	77%
Kobber	4%	4%	2%	2%	2%	3%	4%	4%
Mineraluld	6%	6%	4%	5%	6%	5%	5%	5%
Print; elektronik komponenter	1%	1%	7%	7%	6%	4%	2%	3%
Plast, celle gummi	1%	1%	1%	< 1%	1%	< 1%	1%	< 1%
Øvrigt	2%	2%	3%	2%	2%	2%	1%	1%

1. DE - BESF - Betriebsanleitung

Der Boxventilator BESF von EXHAUSTO wird zur Luftförderung in Zuluft- und Abluftanlagen eingesetzt.



Der Ventilator darf nicht zur Förderung von Festpartikeln oder in Bereichen mit Risiko für explosive Gase benutzt werden.



Der Ventilator darf nicht bei offener Wartungstür eingeschaltet werden.

1.1 Aufbau

Beschreibung

Der Boxventilator BESF ist ein vollisolierter und geräuscharmer Zentrifugalventilator mit F-Rad:

- BESF146-4-1
- BESF160-4-1
- BESF180-4-1EC2
- BESF200-4-1EC2
- BESF160-2-1EC2
- BESF225-4-1EC2
- BESF250-4-1EC2
- BESF280-4-3EC

Der Ventilator besteht aus einem isolierten Ventilatorgehäuse mit einem Außengehäuse, beide aus feuerverzinktem Stahlblech.

Temperaturgrenzen

Variante	Temperatur - Medium		Temperatur - Umgebung, Betrieb	
	Min.	Max.	Min.	Max.
BESF	-12°C	60°C	-30°C	40°C

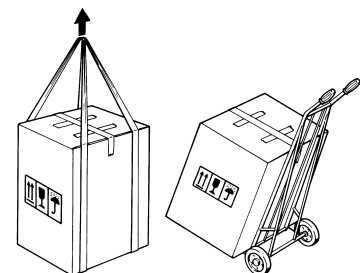
Stutzenabmessungen

Die Stutzenabmessungen des Ventilators entsprechen der Eurovent.

BESF	146	160/180	200/225	250/280
D (mm)	Ø 160	Ø 200	Ø 250	Ø 315

Transport

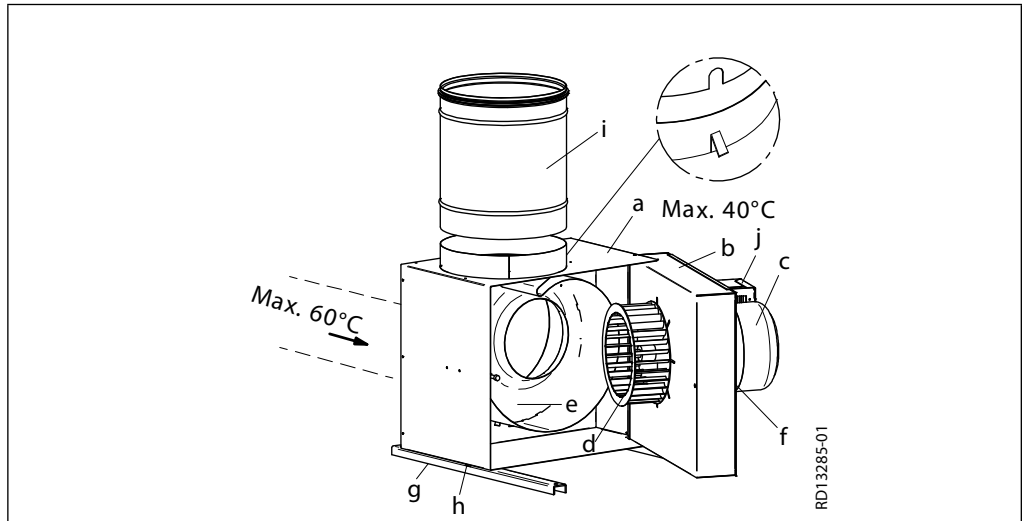
Der Ventilator wird verpackt geliefert und lässt sich auf einer Sackkarre transportieren. Nach dem Auspacken ist beim Transport und Handling des Ventilators darauf zu achten, dass Gehäuse, Stutzen u.a.m. nicht deformiert werden.



Größe und Gewicht

BESF	146	160	180	200	225	250	280	
Gewicht - kg	13	17	22 (EC)	23	27	32	41	49

Hauptbauteile



Pos.	Bauteil
a	Gehäuse
b	Wartungstür
c	Motor
d	Zentrifugalrad
e	Ventilatorgehäuse
f	Verschlusschraube (Werkzeug mitgeliefert)
g	Tragschienen mit Schwingungsdämpfern
h	Selbstschneidende Schrauben
i	Übergangsstück OGSR (Zubehör). (Bei der Montage von OGSR muss sich der Schlitz stets gegenüber dem Zapfen befinden, damit die Luftleitplatten in korrekter Position stehen).
j	EC-Automatik/Klemmenkasten

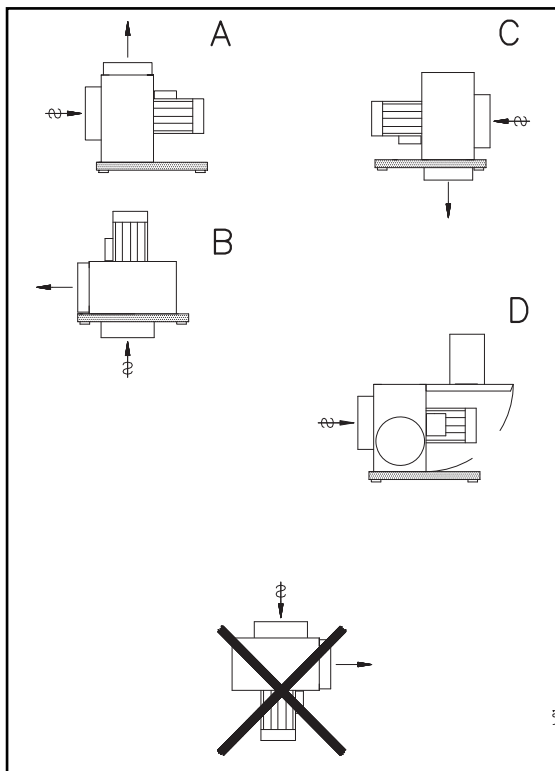
1.2 Montage

1.2.1 Aufstellung in Innenräumen



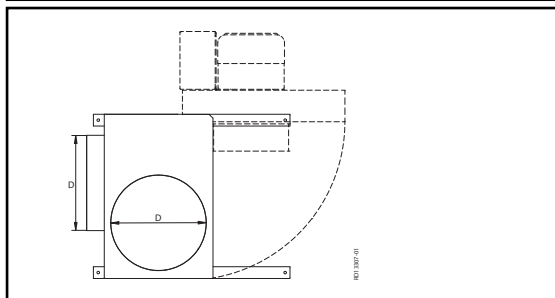
Der Ventilator lässt sich auf verschiedene Weise in Innenräumen aufstellen.

Bei intermittierendem Betrieb, wo Risiko für Kondenswasser im Motor besteht, dürfen ausschliesslich Montagemethode A oder B angewendet werden.



Zugang für Wartung

Bei der Wahl der genauen Positionierung ist auf genügend Platz zu achten, damit die Wartungstür 90° geöffnet werden kann.



Achtung!



Der Motor darf nie senkrecht unter dem Gehäuse angeordnet werden. Außerdem muss sichergestellt werden, dass weder Motor, und EC-Automatik verdeckt werden, da dies zu Überhitzung führen könnte.

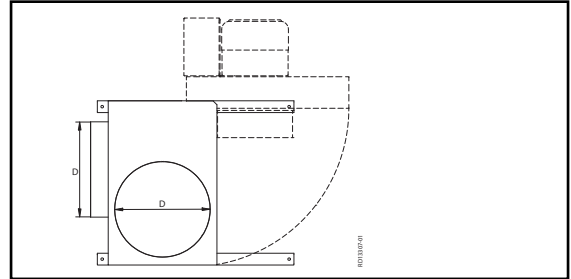
1.2.2 Aufstellung im Freien (OD)



Das Aufstellen von BESF im Freien ist **NICHT** gestattet. Wenn eine Platzierung im Freien erforderlich ist, verwenden Sie **BESB/BSFxxxxxxOD**.

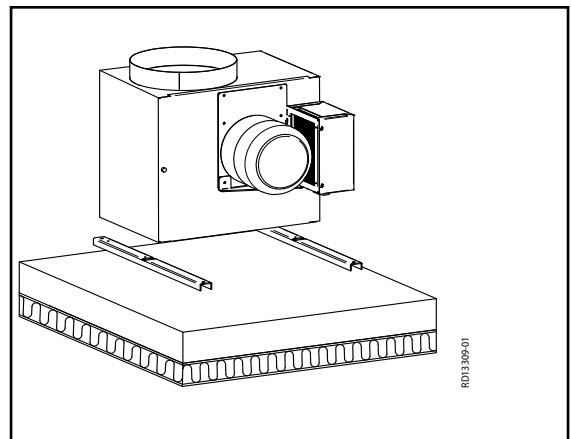
Zugang für Wartung

Bei der Wahl der genauen Positionierung ist auf genügend Platz zu achten, damit die Wartungstür 90° geöffnet werden kann, und die Verschluss-schrauben müssen zugänglich sein.



1.2.3 Montage von Tragschienen

- Die Unterlage muss eben, stabil und schwingungsfrei sein, um die Übertragung etwaiger Schwingungen vom Ventilator auf ein Minimum zu reduzieren. Beispielsweise kann eine Zementfliese auf einer soliden Holzkonstruktion benutzt werden.
- Die Tragschienen mit den mitgelieferten Schrauben am Gehäuse montieren. Für das Montageverfahren A enthält das Gehäuse vorgebohrte Löcher.
- Den Ventilator auf die Unterlage stellen. Er muss nun nicht mehr weiter befestigt werden.



1.3 Elektrischer Anschluss

Allgemein



Die Elektroinstallation muss von einer Fachkraft ausgeführt werden.

Die technischen Daten des Ventilators und des Motors gehen aus dem Typenschild des Gerätes hervor.

Max. Versicherung = 13 Amp.

Wenn die Versicherung vom folgenden Typ ist,	... ist die vorgeschriebene Betriebsklasse
Schmelzsicherung	gG oder gM.
Sicherungsautomat	B oder C, und die Anforderungen von IEC 90947-2 sind einzuhalten.

Der max. Kurzschlussstrom beträgt 10 kA

Bei Inbetriebnahme und Einregelung der Lüftungsanlage ist es wichtig, die Drehrichtung, sowie die Stromaufnahme des Motors, zu kontrollieren. Der auf dem Typenschild angegebene Nennstrom darf nicht überschritten werden, da dies zur Überlastung des Motors führt.

Versorgungstrennung



Die EXHAUSTO A/S weist darauf hin, dass die Richtlinie Maschine (Anlage 1) die Montage einer Versorgungstrennung bei der festen Installation des Ventilators zwingend vorschreibt.

Die Versorgungstrennung muss:

- abschließbar sein oder sichtbar in der Nähe des Ventilators angeordnet werden.
- alle Pole von der Versorgungsspannung unterbrechen können
- Kontaktabstand mind. 3 mm bei jedem Pol,
- als Versorgungstrennung gemäß IEC 60947-1 oder IEC 60947-3 ausgeführt sein.

Die Versorgungstrennung ist nicht von der EXHAUSTO-Lieferung umfasst.

Blitzableitung ist nach den geltenden gesetzlichen Vorschriften auszuführen.

1.3.1 Ventilatoren ohne EC-Automatik

Elektrischer Anschluss

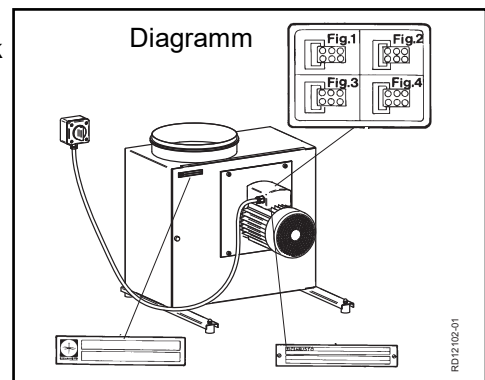
Der Elektroanschluss ist gemäß dem Anschlussdiagramm im Deckel des Motorklemmkastens auszuführen.

1.3.1.1 BESF146-4-1 BESF160-4-1

Bei allen einphasigen Ventilatoren ist die Spannung regelbar.

Der Motor ist mit einer Thermosicherung ausgerüstet. Die Thermosicherung ist ab Werk mit dem Stromkreis des Motors in Serie geschaltet (Anschlussdiagramm im Klemmenkasten Fig. 1).

Sollte bei Überhitzung des Motors ein manueller Reset gewünscht sein, so ist der Motor nach Fig. 2 im Anschlusskasten anzuschliessen. Hier wird der Thermokontakt in den Steuerkreis eines Schützes verschaltet.



1.3.2 Ventilatoren mit EC-Automatik

Allgemein Alle Ventilatoren mit der Typenbezeichnung "EC" sind durch den eingebauten EC-Automatik regelbar.

Kabel Die an die Steuersignaleingänge anzuschließenden Leitungen müssen über ihre gesamte Länge mit einer verstärkten Isolierung im Verhältnis zum Versorgungsleitungen ausgerüstet sein.

Hinweis Wegen EMV-Anforderungen darf das Kabel zwischen der EC-Steuerung und dem ECMotor nicht verlängert werden.

ESD



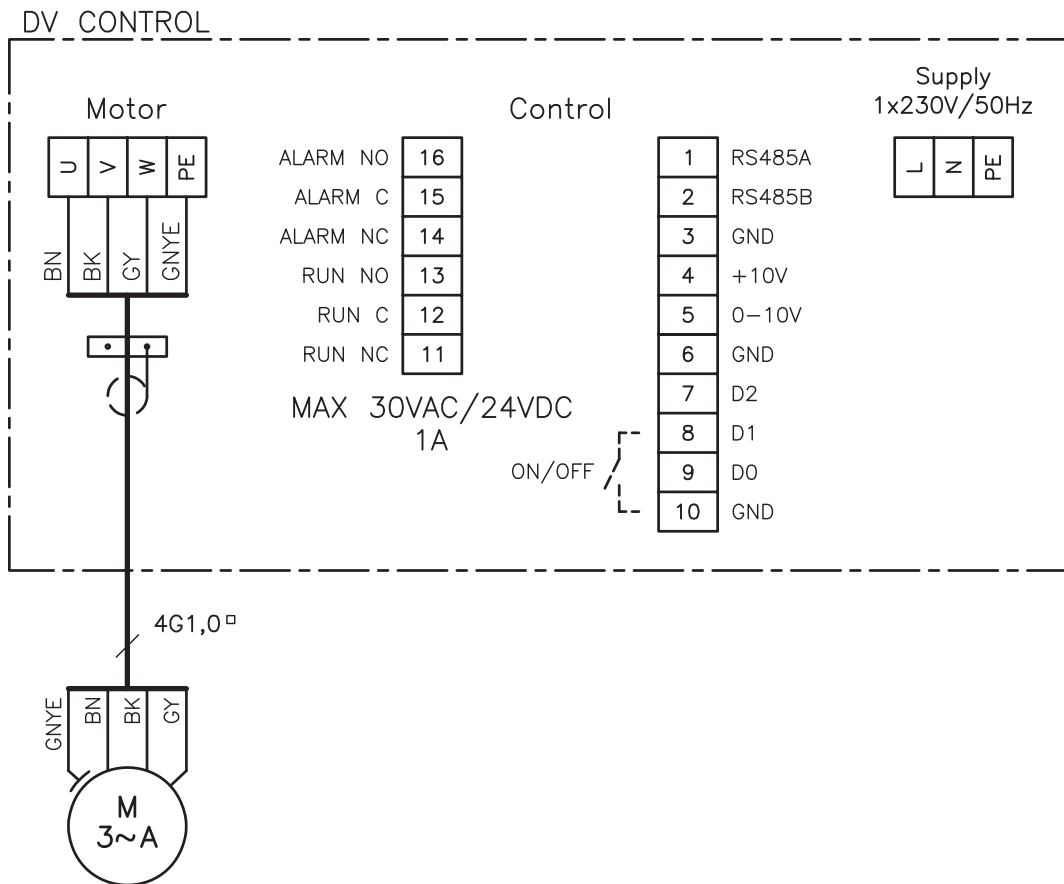
Der Elektriker muss durch ESD geschützt sein, während

- der Demontage des Deckels des EC-Automatik
- Arbeiten am EC-Automatik

1.3.2.1 BESF180-4-1EC2, BESF200-4-1EC2, BESF160-2-1EC2, BESF225-4-1EC2 & BESF250-4-1EC2

Kabeltyp Kabel für Steuersignale müssen paarweise verdrehte Leiter sein. Der Kabeltyp muss mindestens CAT5e Ethernet-Kabel sein..

Diagramm

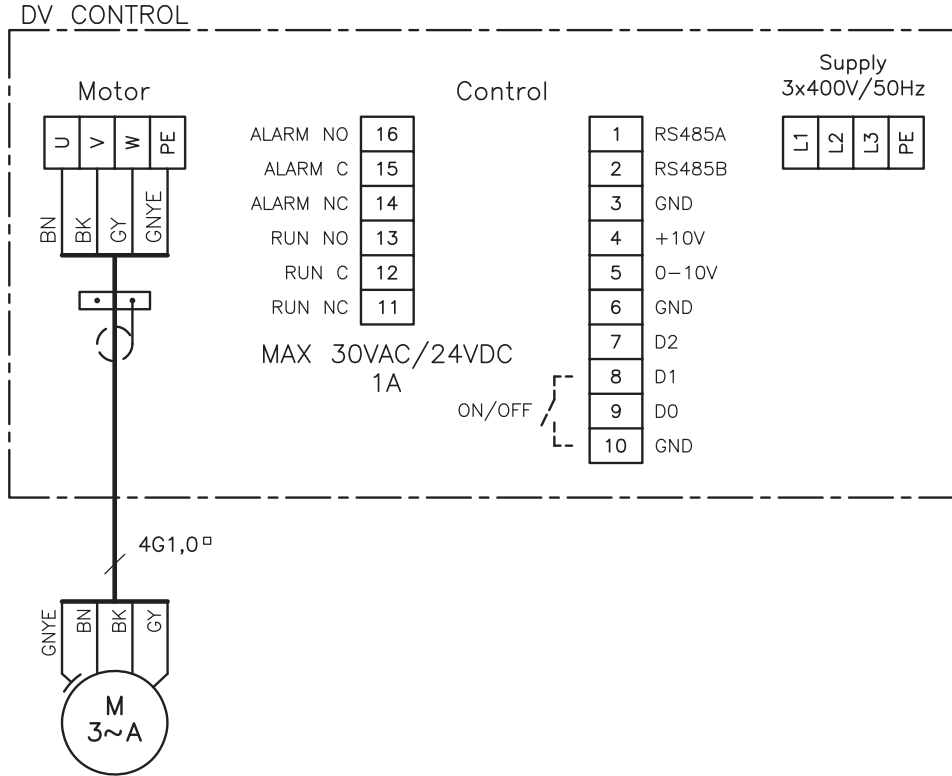


RD14468-01

1.3.2.2 BESF280-4-3-EC

Kabeltyp Die Kabel für die Steuersignale müssen isoliert sein.

Diagram



Erläuterung zum Diagramm

Klemme		
OJ DV Control	EFC1P/EFC1P2 Panel	Signalbeschreibung
1		RS485 (+A)
2		RS485 (-B)
3		0V DC (gestell)
4	5	+10V DC
5	4	0-10V DC
6	3	0V DC (gestell)
7		-
8	2	Start/stopp
9		-
10		0V DC (gestell)
11		Run NC
12		Run C
13		Run NO
14		Alarm NC
15	B	Alarm C
16	A	Alarm NO

RD14173-01

Leckstrom

Die EC-Automatik gibt während des Betriebs einen Leckstrom ab. Der Leckstrom ist an den Erdanschluss zu leiten, da andernfalls die Gefahr besteht, dass der Motor unter Spannung steht.

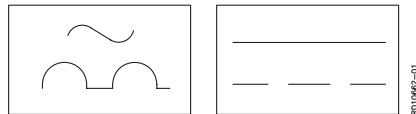
RCD-Schutz von 300 mA wird empfohlen, da Ableitströme über 30 mA auftreten können.

Zwecks Einhaltung von EN 50178 ist der Ventilatoren an verstärkte Erdung anzuschließen.

**Fehlerstrom-
schutzschalter**

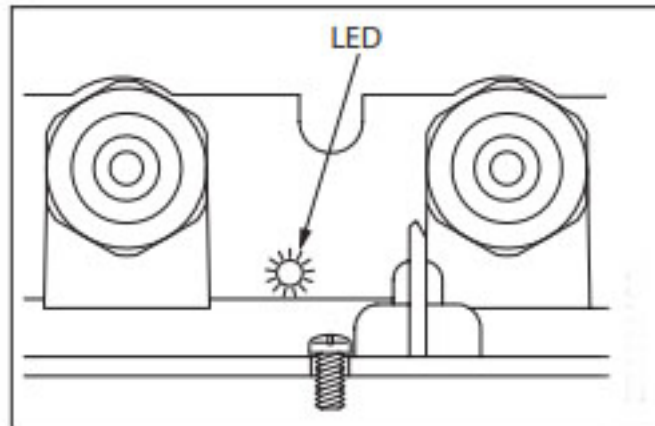
Falls in der Installation Fehlerstromschutzschalter montiert werden, müssen diese den folgenden Anforderungen entsprechen:

- Fehlerstromschutzschalter Typ B gemäß EN 61008, die bei der Erfassung von Gleichfehlerströmen (pulsierendem Gleichstrom) ausgelöst werden.
- Fehlerstromschutzschalter müssen mit dem folgenden Symbol gekennzeichnet sein:



1.3.3 Fehlersuche bei DV-EC-Automatik

DV-EC-Automatik



LED-Anzeigen

- Die DV-EC-Steuerung verfügt über eine zweifarbige, grüne bzw. rote LED-Anzeige verschiedener Betriebszustände.
- Die LED befindet sich auf der Unterseite der Steuerung neben Kabeleinführungen für den Netzanschluss.

Problembekämpfung

- Dauerhaft grün bei eingeschalteter Netzspannung
- Blinkt grün bei aktiver Modbus-Kommunikation.
- Dauerhaft rot bei mindestens einem kritischen Alarm.
- Blinkt rot, wenn mindestens ein nichtkritischer Alarm vorliegt
- LED störungsanzeige:
 - 1 x Blinken = Versorgungsproblem
 - 3 x Blinken = Internes DV-Problem
 - 5 x Blinken = Motorproblem

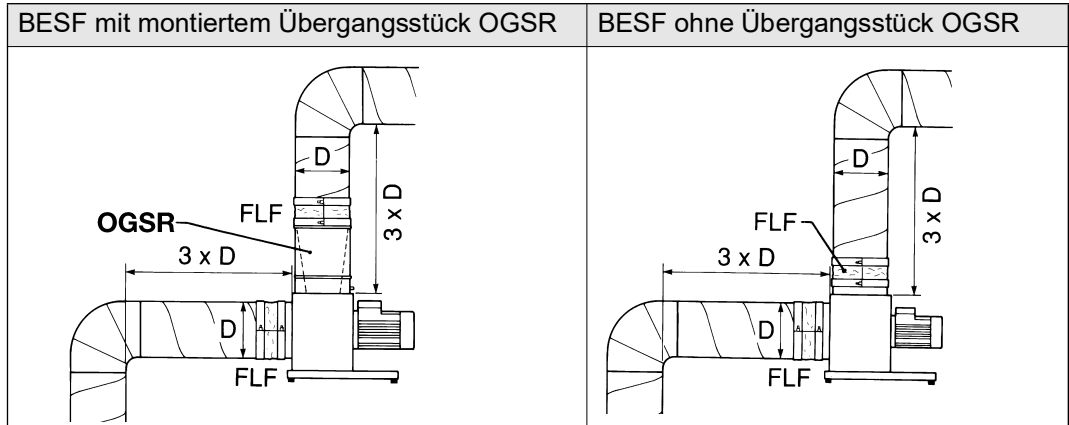
Zubehör

- Als Zubehör können Sie ein Handheld-Terminal für den Betrieb und Alarminformationen kaufen.

1.4 Kanalanschluss

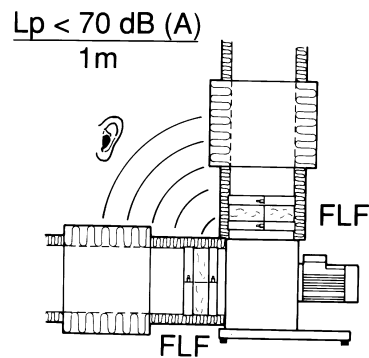
Kanäle

Zur Erzielung maximaler Leistung muss der Ventilator mit einem geraden Kanal in den angegebenen Längen vor und nach dem Ventilator an das Kanalsystem angeschlossen werden. Es sind stets flexible Anschlüsse vom Typ FLF zu montieren, um die Übertragung etwaiger Schwingungen zu vermeiden. Die Stutzen am Ventilator und am Übergangsstück OGSR sind mit Gummilippendichtung ausgerüstet.



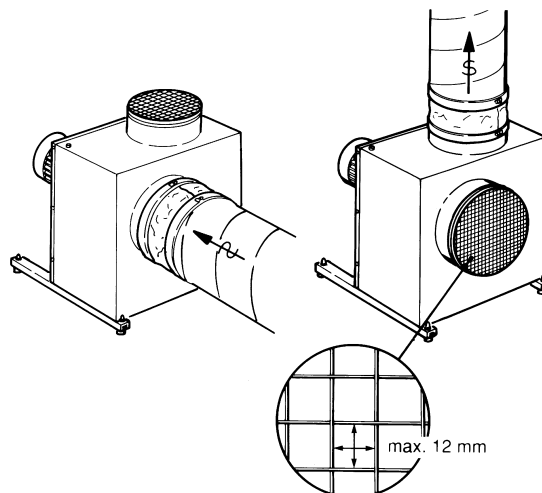
Schall

Der Ventilator ist mit Schalldämpfern gemäß den Anforderungen am Einsatzort zu montieren. Der Schalleistungspegel an die Umgebung liegt für alle BESF-Bauarten unter 70 dB(A). Das Kanalsystem ist gegen Schallemission, Wärmeverlust und Kondensation zu isolieren.



Schutznetz

Wird der Ventilator ohne Kanalanschluss aufgestellt, ist ein Schutznetz (Sonderzubehör) mit einer Maschenweite von maximal 12 mm zu montieren.



1.5 Wartung und Reinigung

Reinigung

Reinigung des Ventilators nach Bedarf, jedoch mindestens alle 6 Monate, wie folgt:

Schritt	Vorgehen	
1	Stromversorgung zum Gerät am Versorgungstrennung abschalten.	
2	Die Wartungstür öffnen.	
3	Ventilatorgehäuse und Zentrifugalrad gründlich mit Seifenwasser reinigen. Vor dem Wiedereinschalten des Ventilators müssen die Bauteile trocken sein, und der Ventilator darf NICHT bei offener Wartungstür eingeschaltet werden.	
4	Das Zentrifugalrad lässt sich demontieren und reinigen. Vor der Demontage die genaue Position des Rades auf der Welle messen. Eventuelle Ausgleichsgewichte am Zentrifugalrad dürfen nicht entfernt werden. Bei einer erneuten Montage des Laufrades müssen neue Madenschrauben verwendet werden, da sonst die Gefahr besteht, dass das Laufrad sich während des Betriebs von der Motorwelle löst.	
5	Überprüfen, dass die Abdeckung des Motorkühlers nicht verschmutzt ist, um eine ausreichende Kühlung des Motors zu gewährleisten.	

Achtung!



Sollte es nach längerer Laufzeit zu Vibrationen des Ventilators kommen, so kann dies auf eine Unwucht des Zentrifugalrades, durch Verschmutzung zurückzuführen sein.

Garantie

EXHAUSTO leistet eine 2-jährige Werksgarantie ab Rechnungsdatum auf den Ventilator.

1.6 Umweltdeklaration

Produktbeschreibung Der BESF von EXHAUSTO ist ein leicht zu wartender Radialventilator mit vorwärts-gekrümmten Schaufeln. Der Ventilator ist mit 30 mm Mineralwolle brand-, schall- und wärmeisoliert. Das Zentrifugalrad ist direkt auf der Motorwelle montiert, wodurch Energieverlust und Verschleiß reduziert werden. Die Reparaturkosten betragen daher ein Minimum.

Wartung und Reinigung erfolgen durch die geöffnete Scharniertür. Die Tür ermöglicht Zugang zu sämtlichen Bauteilen, die mit der Luft in Kontakt sind. Der Motor ist außerhalb des Luftstromes montiert.

Der Ventilator wird einschließlich Tragschienen mit Schwingungsdämpfern geliefert. Der Ventilator ist CE-zugelassen und nach den geltenden Richtlinien EMV-getestet.

Eingesetzte Werkstoffe Lüftergehäuse, Schnecke und Tragschienen sind aus feuerverzinktem, wiederverwertbarem Stahlblech hergestellt. Das Zentrifugalrad ist aus wiederverwertbarem Druckgussaluminium.

Die Isolierung besteht aus Mineralwolle, die nach der Demontage des Ventilators wiederverwendet werden kann. Die Dichtleisten sind aus FCKW- und H-FCKW-freiem Zellgummi.

Der Motor besteht aus Aluminium, Stahl und Kupfer sowie eventuell einer Kühlkappe aus Kunststoff. Die Verpackung besteht aus Wellpappe sowie Einwegpaletten aus Holz.

Materialübersicht

	BESF146	BESF160	BESF 160EC2	BESF 180EC2	BESF 200EC2	BESF 225EC2	BESF 250EC2	BESF 280EC
Aluminium	10%	10%	13%	10%	8%	11%	10%	9%
Fe	75%	76%	70%	74%	75%	75%	78%	77%
Kupfer	4%	4%	2%	2%	2%	3%	4%	4%
Mineralwolle	6%	6%	4%	5%	6%	5%	5%	5%
Platine; Elektronik- komponenten	1%	1%	7%	7%	6%	4%	2%	3%
Kunststoff, Zellgummi	1%	1%	1%	< 1%	1%	< 1%	1%	< 1%
Sonstiges	2%	2%	3%	2%	2%	2%	1%	1%

1. NO - BESF - Produktveiledning

EXHAUSTO boksvifte BESF brukes til transport av luft i tillufts- og avtrekksanlegg.



Viften må ikke brukes til transport av faste partikler eller der det er risiko for eksplosive gasser.



Viften må ikke startes med åpen serviceluke.

1.1 Oppbygning

Beskrivelse

BESF er en totalisoleret og lydsvak sentrifugalvifte med F-hjul:

- BESF146-4-1
- BESF160-4-1
- BESF180-4-1EC2
- BESF200-4-1EC2
- BESF160-2-1EC2
- BESF225-4-1EC2
- BESF250-4-1EC2
- BESF280-4-3EC

Viften består innvendig av et plateformet, isolert viftehus og utvendig av et kabinett av galvanisert plate.

Temperaturgrenser

Variant	Temperatur - medium		Temperatur - driftsomgivelser	
	Min.	Maks.	Min.	Maks.
BESF	-12 °C	60 °C	-30 °C	40 °C

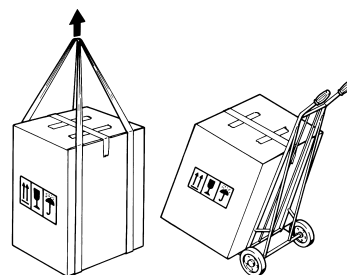
Stussmål

Viftens stussmål er i samsvar med Eurovent.

BESF	146	160/180	200/225	250/280
D (mm)	Ø 160	Ø 200	Ø 250	Ø 315

Transport

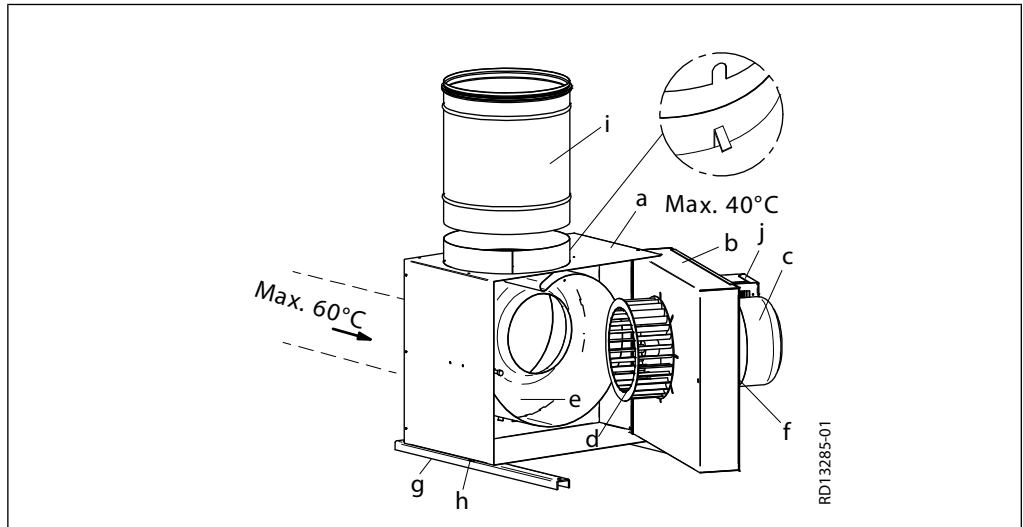
Viften leveres emballert og kan transporteres på sekkevogn. Etter utpakking må viften transporteres og behandles, slik at kabinett og stusser ikke deformeres.



Størrelse og vekt

BESF	146	160		180	200	225	250	280
Vekt - kg	13	17	22 (EC)	23	27	32	41	49

Hovedkomponenter



Pos.	Komponent
a	Kabinett
b	Serviceuke
c	Motor
d	Sentrifugalhjul
e	Viftehus
f	Låseskrue (verktøy følger med)
g	Bæreskinner med vibrasjonsdempere
h	Selvskjærende skruer
i	Overgangsstykke OGSR (tilbehør). (Ved montering av OGSR skal slissen alltid være ut for tappen, slik at ledeplatene vender korrekt).
j	EC-styring/klemkasse

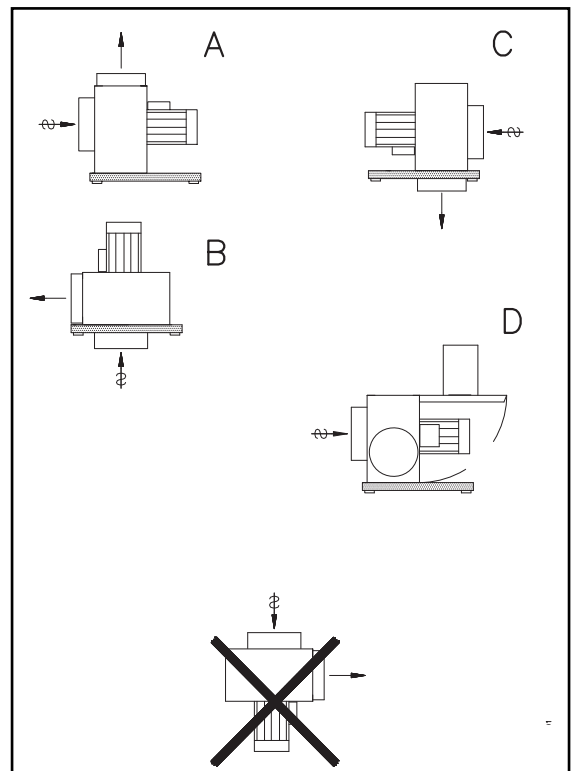
1.2 Montering

1.2.1 Innendørs plassering



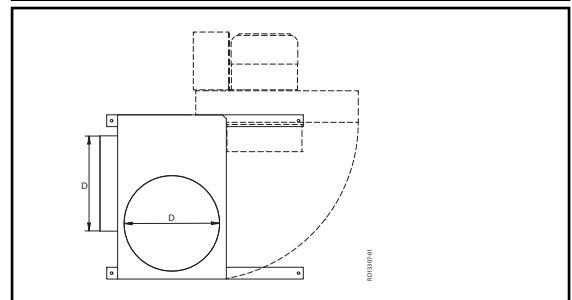
Viften kan monteres på forskjellige måter innendørs.

Ved intermitterende drift der det er risiko for kondensvann i motoren, må monteringsmåte A eller B brukes.



Servicetilgang

Ved utvelging av den nøyaktige plasseringen må man sikre seg at det er plass nok til at serviceluken kan åpnes 90°.



Advarsel



Motoren må aldri plasseres loddrett under kabinettet. Dessuten må det sikres at motoren og EC-styringen ikke tildekkes, da det vil kunne medføre overoppheting.

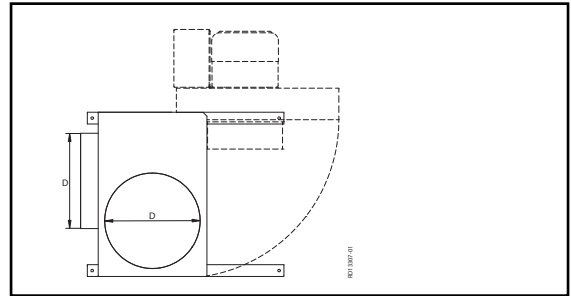
1.2.2 Utendørs plassering (OD)



Utendørs plassering af BESF er IKKE tillatt. Når utendørs plassering er nødvendig, bruk BESB/BSFxxxxxxOD.

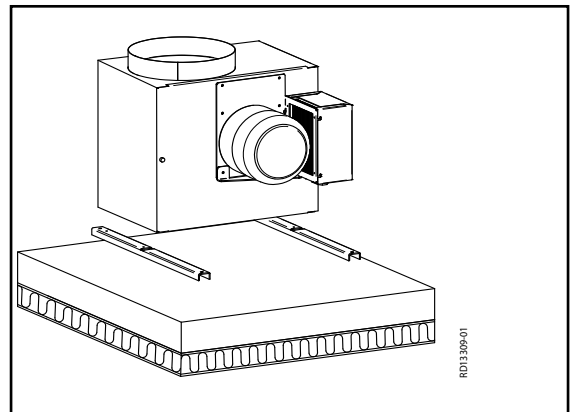
Servicetilgang

Ved utvelging av den nøyaktige plasseringen må man sikre seg at det er plass nok til at serviceluken kan åpnes minst 90°, og at det er adgang til låseskruene.



1.2.3 Montering av bæreskinner

- Underlaget må være plant, stabilt og svingningsdødt for å minimere overføringen av eventuelle vibrasjoner fra viften. Bruk f.eks. en betongflis ovenpå en solid trekonstruksjon.
- Monter bæreskinnene på kabinettet med skruene som følger med. Ved monteringsmetode A er kabinettet forboret.
- Sett viften løst ovenpå underlaget. Den skal ikke spennes fast.



1.3 Elektrisk tilkobling

Generelt



Den elektriske installeringen må bare utføres av en autorisert installatør.

Vifte- og motorspesifikasjoner fremgår av typeskiltene som er montert.

Maks. sikring = 13 Amp..

Hvis forankoblet sikring er en	...skal den ha karakteristikk
smeltesikring	gG eller gM.
automatsikring	B eller C, og samsvare med IEC 90947-2.

Maks. kortslutningsstrøm er 10 kA

Ved oppstart og innregulering av ventilasjonsanlegget er det viktig å kontrollere motorens dreieretning, og at strømforbruket ikke overstiger merkestrømmen på typeskiltet, da det vil medføre overbelastning av motoren.

Skillebryter



EXHAUSTO A/S gjør oppmerksom på at det i henhold til Maskindirektivet (vedlegg 1) skal monteres en skillebryter i den faste installasjonen av viften.

Skillebryteren skal...

- være låsbar eller plasseres synlig i nærheten av viften.
- kunne bryte alle poler fra matespenningen
 - kontaktavstand min. 3 mm på hver pol.
- være utført som skillebryter i henhold til IEC 60947-1 eller IEC 60947-3.

Skillebryteren er ikke en del av EXHAUSTO-leveransen.

Lynavledning...

...skal utføres i henhold til gjeldende lover og forskrifter.

1.3.1 Vifter uten EC-styring

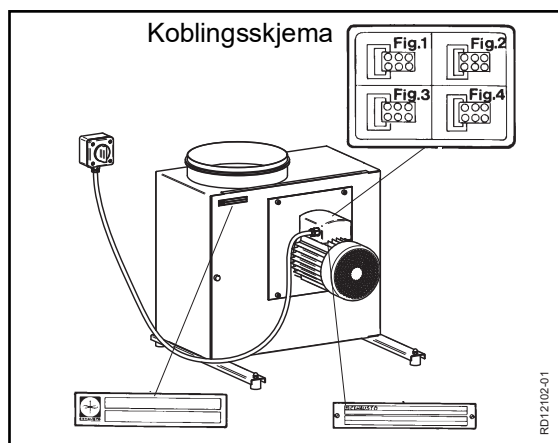
Elektrisk tilkobling Elektrisk tilkobling foretas iht. koblingsskjemaet, som finnes i luken på motorens klemkasse.

1.3.1.1 BESF146-4-1, BESF160-4-1

Alle enfasede vifter er spenningsregulerbare.

Motoren er forsynt med termosikring. Termosikringen er fra fabrikk koblet i serie med motorens strømkrets (koblingsskjema i klemkassen fig. 1). Dersom det ønskes manuell reset ved termisk utkobling, brukes koblingsskjemaet fig. 2 der termosikringen brukes i styrekretsen for en kontaktor. Motoren er overbelastningsbeskyttet.

Viften er forsynt med en 3-faset normmotor som ikke kan spenningsreguleres



1.3.2 Vifter med EC-styring

- Generelt** Alle vifter med typebetegnelsen "EC" er regulerbare via den innebygde EC-styring.
- Kabler** Ledningene som skal tilkobles styresignalinngangene, må i hele sin lengde ha forsterket isolering i forhold til forsyningsledningene.
- OBS** Pga. EMC-krav må kablen mellom EC-styreenheten og EC-motoren ikke forlenges.

ESD



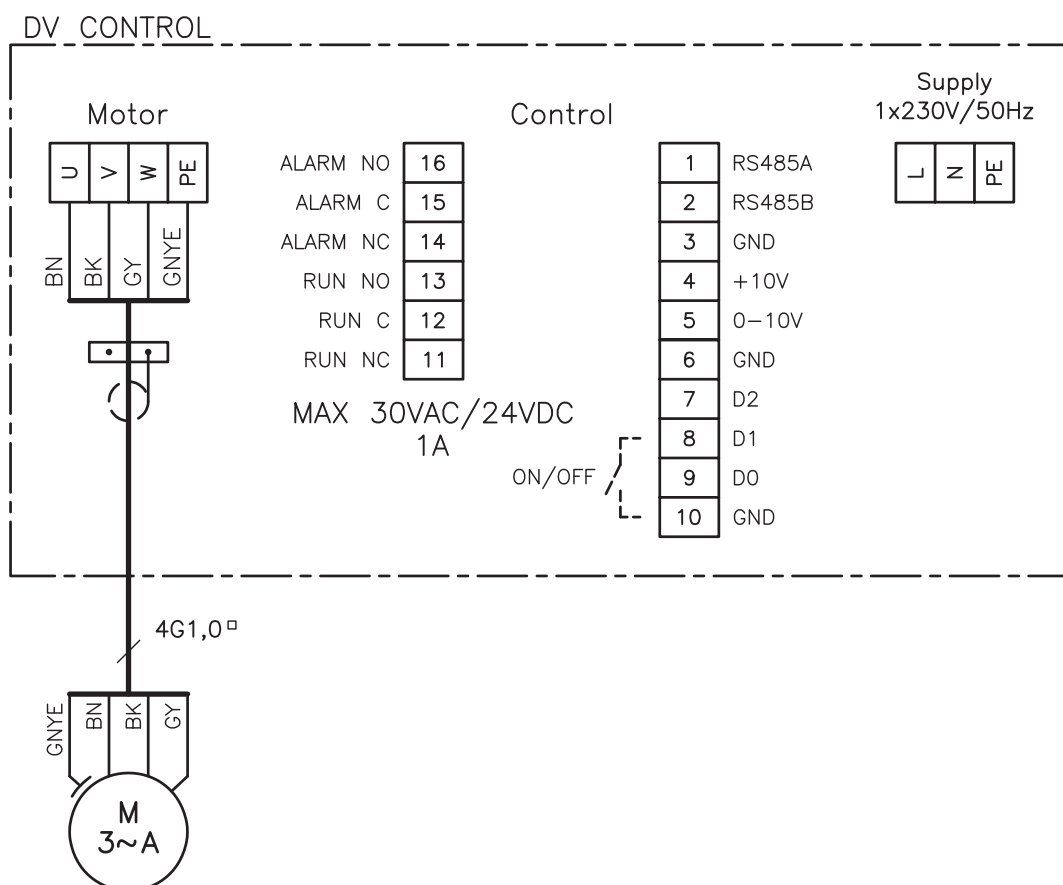
Elektrikeren skal være ESD-beskyttet:

- når lokket på EC-styringen demonteres
- under arbeid på EC-styringen

1.3.2.1 BESF180-4-1EC2, BESF200-4-1EC2, BESF160-2-1EC2, BESF225-4-1EC2 & BESF250-4-1EC2

- Kabeltype** Kabler til styresignaler skal bestå av tvunnede parledere. Kabeltypen må være minst CAT5e Ethernet-kabel.

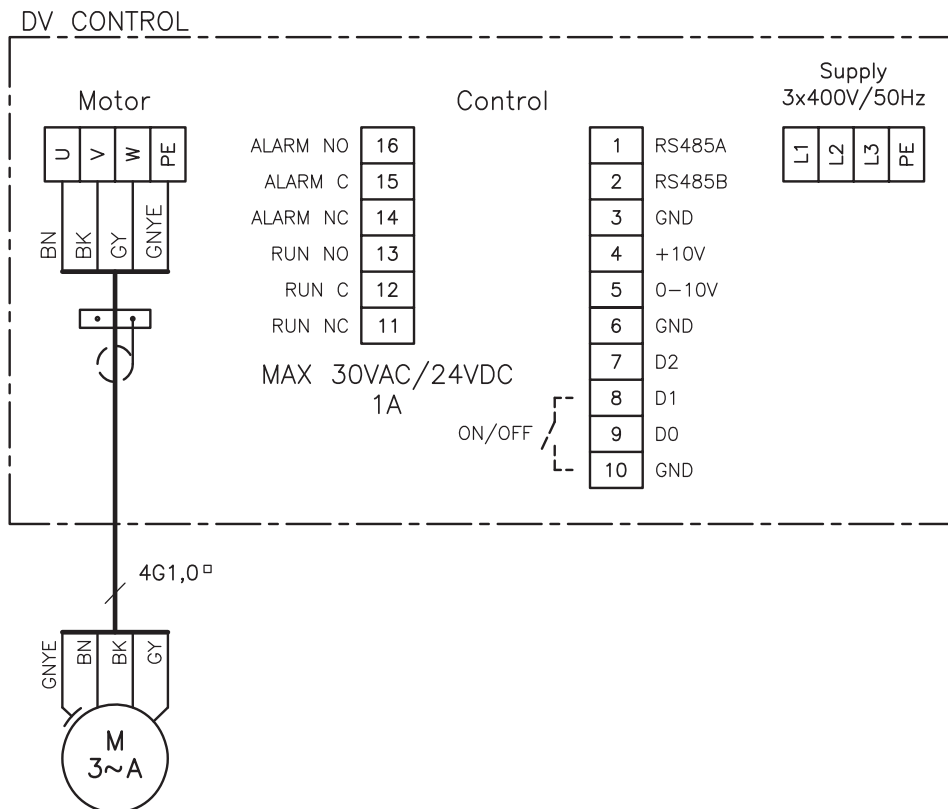
Diagram



1.3.2.2 BESF280-4-3EC

Kabeltype Kabler til styresignaler skal være skjernet.

Diagram



Forklaring til diagram

Klemme		
OJ DV Control	EFC1P/EFC1P2 Panel	Signalbeskrivelse
1		RS485 (+A)
2		RS485 (-B)
3		0V DC (ramme)
4	5	+10V DC
5	4	0-10V DC
6	3	0V DC (ramme)
7		-
8	2	Start/stopp
9		-
10		0V DC (ramme)
11		Run NC
12		Run C
13		Run NO
14		Alarm NC
15	B	Alarm C
16	A	Alarm NO

RD14173-01

Lekkstrøm

EC-styringen avgir lekkstrøm under drift. Lekkstrømmen må ledes til jord, da det ellers er risiko for at motoren blir spenningsførende.

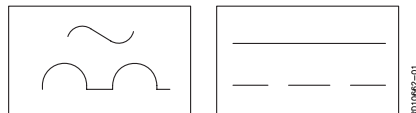
RCD-beskyttelse på 300 mA anbefales fordi det kan forekomme lekkasjestrømmer over 30 mA.

For å overholde EN50178 må ventilatoren tilkobles forsterket jord.

Jordfeilbrytere

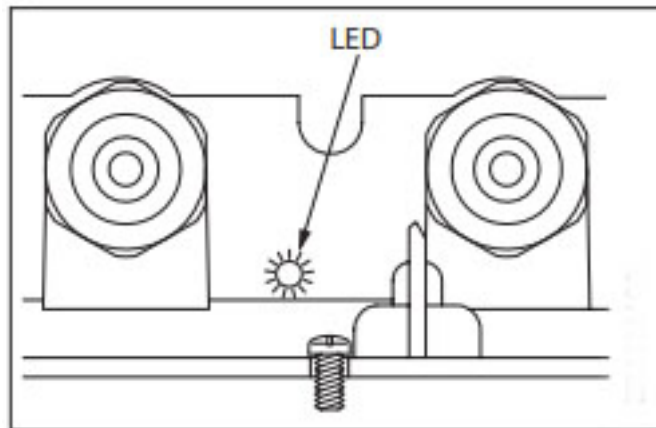
Hvis det monteres jordfeilbrytere i installasjonen, må disse være av en type som overholder følgende krav:

- PFI-bryter type B i henhold til EN 61008, som bryter når det registreres feilstrømmer med DC-innhold (pulserende likestrøm) og glatte feilstrømmer
- Jordfeilbryterne må være merket med følgende symboler:



1.3.3 Feilsøking for DV-EC-styring

DV-EC-styring



LED-indikeringer

- DV-EC-styring har en 2-farget eller grønn- og rødfarget LED-indikasjon for ulike driftsmoduser.
- LED-lampen er plassert på undersiden av koblingen ved siden av kabelinnføringen til nettkoblingen

Feilsøking

- Konstant grønn når tilkoblet nettspenning
- Blinker grønt ved aktiv Modbus-kommunikasjon.
- Konstant rød ved minst én kritisk alarm.
- Blinker rødt ved minst én ikke-kritisk alarm.
- LED feilindikasjon:
 - 1 blink = forsyningsproblem
 - 3 blink = Internt DV-problem
 - 5 blink = motorproblem

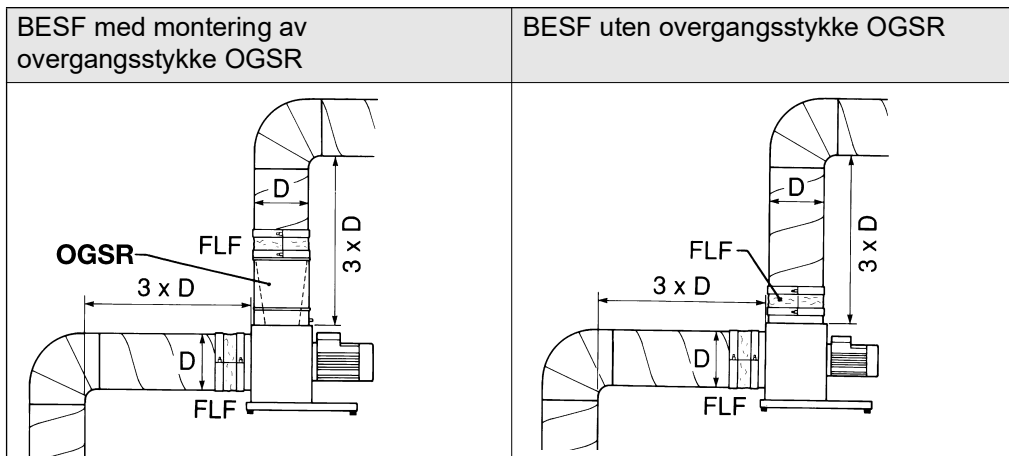
Tilbehør

- Som tilbehør kan du kjøpe en håndterminal for betjening og alarm informasjon.

1.4 Kanaltilkobling

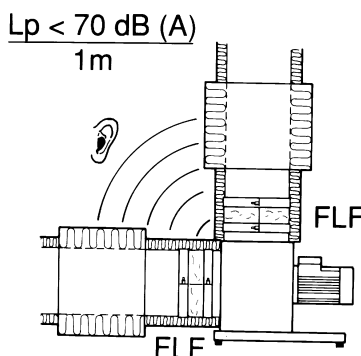
Kanaler

For å oppnå maksimal ytelse må viften tilkobles kanalsystemet med de oppgitte lengdene rett kanal før og etter viften. Det skal alltid monteres mansjetter av typen FLF for å unngå overføring av eventuelle vibrasjoner. Stussene på viften og overgangsstykket OGSR er montert med gummitetning.



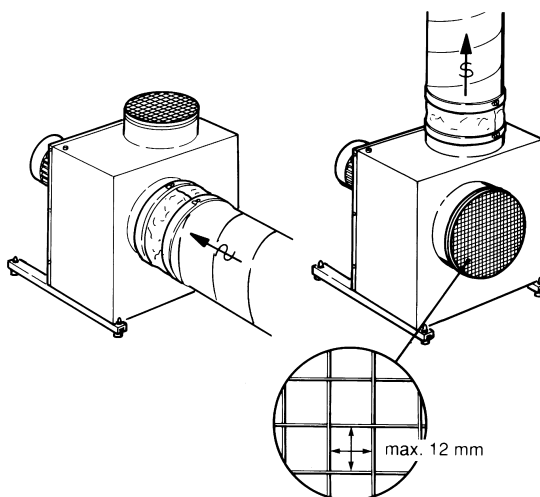
Lyd

Viften monteres med lyddempere i henhold til kravene i betjeningsområdet. Lydtryknivået til omgivelsene er under 70 dB(A) for alle typer BESF. Kanalsystemet må isoleres av hensyn til lyduttrenkning, varmetap og kondensering.



Beskyttelsesnett

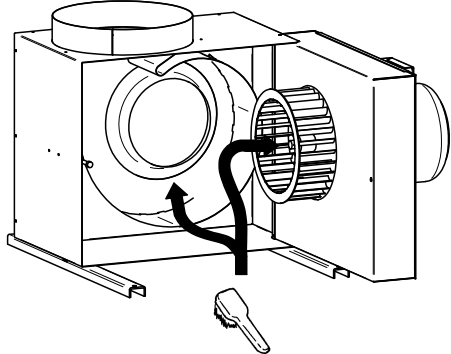
Dersom viften stilles opp uten kanaltilkobling, må det monteres beskyttelsesnett (ekstrautstyr) med største maskevidde på 12 mm.



1.5 Service og rengjøring

Rengjøring

Rengjøring av viften foretas etter behov, men minst hver 6. måned, på følgende måte:

Trinn	Handling	
1	Slå av strømmen til viften på skillebryteren.	
2	Lukk opp serviceluken.	
3	Vask viftehus og sentrifugalhjul grundig med såpevann. Delene må være tørre før viften startes opp igjen, og den må IKKE startes med serviceluken åpen	
4	Sentrifugalhjulet kan tas ut og renses. Mål hjulets nøyaktige plassering på akselen før demontering. Eventuelle avbalanseringsklosser på sentrifugalhjulet må ikke fjernes. Kontroller at det er fri adgang for kjøleluft gjennom motordekselet.	

Advarsel



Hvis det forekommer vibrasjoner i viften, kan det skyldes ubalanse som følge av urenheter på sentrifugalhjulet.

Garanti

EXHAUSTO yter 2 års fabrikkgaranti på viften fra fakturadato.

1.6 Miljødeklarasjon

Produktbeskrivelse EXHAUSTO BESF er en radialvifte med foroverbøyde skovler som det er lett å foreta service på. Viften er brann-, lyd- og varmisolert med 30 mm mineralull. Viftehjulet er montert direkte på motorakselen. Det gir redusert tap og færre slitasjedeler og dermed også færre reparasjonskostnader.

Service og rengjøring foretas ved å åpne den hengslede luken. Det gir adgang til alle deler som er i kontakt med luften. Motoren er montert utenfor luftstrømmen. Det følger støtteskiner med vibrasjonsdempere med viften. Viften er CE-godkjent og EMC-testet i henhold til gjeldende direktiver.

Inngående materialer

Viftehus, snikke, viftehjul pluss støtteskiner er laget av varmgalvanisert stålplate som kan gjenvinnes. Isoleringen består av mineralull som kan gjenbrukes ved demontering av viften. Tetningslister består av KFK- og HKFK-fri cellegummi. Motoren består av aluminium, stål, kobber pluss eventuelt en kjølekappe i plast. Emballasjen består av bølgepapp.

Materialoversikt

	BESF146	BESF160	BESF 160EC2	BESF 180EC2	BESF 200EC2	BESF 225EC2	BESF 250EC2	BESF 280EC
Aluminium	10%	10%	13%	10%	8%	11%	10%	9%
Fe	75%	76%	70%	74%	75%	75%	78%	77%
Kobber	4%	4%	2%	2%	2%	3%	4%	4%
Mineralull	6%	6%	4%	5%	6%	5%	5%	5%
Printkort; elektroniske komponenter	1%	1%	7%	7%	6%	4%	2%	3%
Plast, cellegummi	1%	1%	1%	< 1%	1%	< 1%	1%	< 1%
Øvrig	2%	2%	3%	2%	2%	2%	1%	1%

1. SE – BESF – Produkthandbok

EXHAUSTO boxfläkt BESF används för transport av luft i en till- och frånluftsanordning.



Fläktarna får inte användas för transport av fasta partiklar eller om det finns risk för explosiva gaser.



Fläktarna får inte startas med öppen servicelucka.

1.1 Konstruktion

Beskrivning

BESF är en helisolerad centrifugalfäkt med F-hjul:

- BESF146-4-1
- BESF160-4-1
- BESF180-4-1EC2
- BESF200-4-1EC2
- BESF160-2-1EC2
- BESF225-4-1EC2
- BESF250-4-1EC2
- BESF280-4-3EC

Fläkten består invändigt av ett iso-lerat, plattformat fläkthus och utvändigt av ett skåp av galvaniserad plåt.

Temperaturgränser

Variant	Temperatur – medium		Temperatur – omgivningar, drift	
	Min.	Max.	Min.	Max.
BESF	-12 °C	60 °C	-30 °C	40 °C

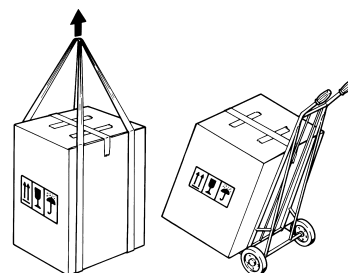
Stosmått

Fläktens stosmått överensstämmer med Eurovent.

BESF	146	160/180	200/225	250/280
D (mm)	Ø 160	Ø 200	Ø 250	Ø 315

Transport

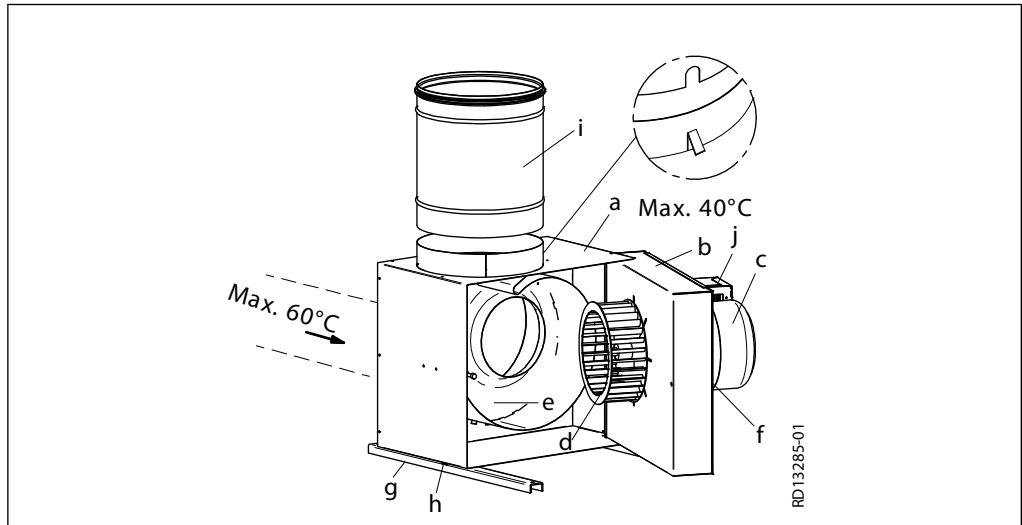
Fläkten levereras med emballage och kan transporteras på en säckkärra. Efter avlastning ska fläkten transporteras och hanteras med försiktighet för att inte skåpet eller stosen ska deformeras.



Storlek och vikt

BESF	146	160	180	200	225	250	280	
Vikt – kg	13	17	22 (EC)	23	27	32	41	49

Huvudkomponenter



Pos.	Del
a	Skåp
b	Servicelucka
c	Motor
d	Centrifugalhjul
e	Fläkthus
f	Låsskruv (verktyg medföljer)
g	Bärskenor med vibrationsdämpare
h	Självborrande skruvar
i	Övergångsdel OSGR (tillbehör). (Vid montering av OSGR ska skåran ligga utanför tappen för att ledplattorna ska vändas korrekt).
j	EC-styrning/anslutningsbox

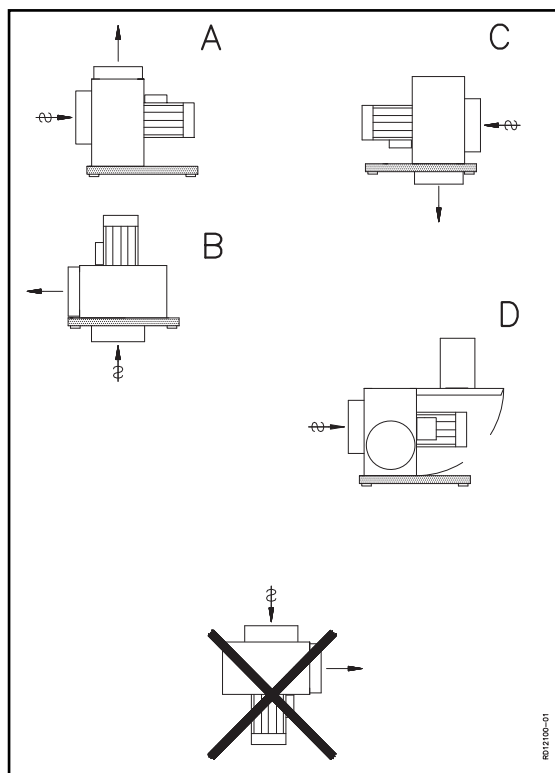
1.2 Montering

1.2.1 Inomhusmontering



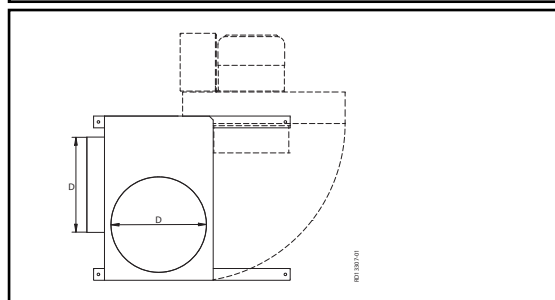
Fläkten kan monteras på flera olika sätt inomhus.

Vid periodvis drift där det finns risk för kondensvatten i motorn bör endast monteringsmetod A eller B användas.



Serviceutgång

Fläkten kan monteras på valfri plats. Se dock till att serviceluckan kan öppnas 90°.



Varning!



Motorn får aldrig placeras lodrätt under skåpet och dessutom måste det kunna garanteras att motorn och EC-styrningen inte täcks över eftersom detta kan leda till överhettning.

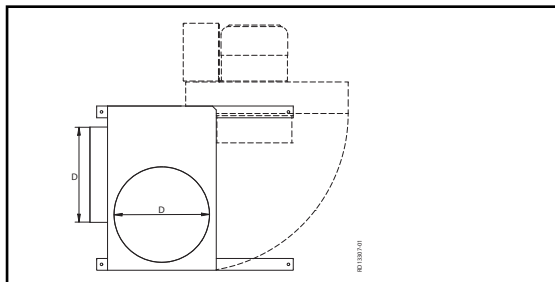
1.2.2 Placering utomhus (OD)



Utomhusplacering av BESF är INTE tillåten. När utemhusplacering behövs, använd BESB/BSFxxxxxxxOD.

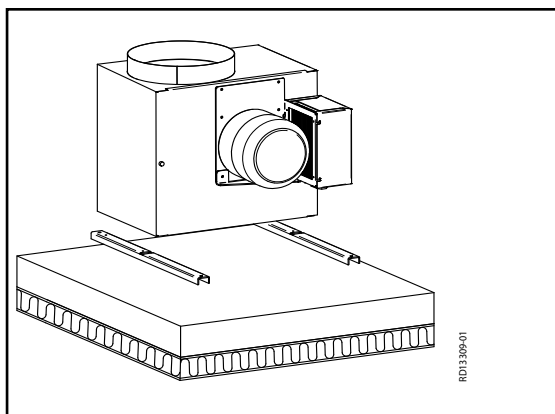
Serviceutgång

Fläkten kan monteras på valfri plats. Se dock till att serviceluckan kan öppnas ca 90° och att låsskruvarna är tillgängliga.



1.2.3 Montering av bärskenor

- Underlaget ska vara jämnt, stabilt och vibrationsfritt för att minimera överföringen av eventuella svängningar från fläkten. Sätt t.ex. en solid cementplatta ovanpå en solid träkonstruktion.
- Montera bärskenorna på skåpet med de medföljande skruvarna. Vid monteringsmetod A är skåpet förborrat.
- Sätt fläkten löst på underlaget. Den får ej spännas fast.



1.3 Elanslutning

Allmänt



Elinstallationen ska göras av en auktoriserad elmontör.

Specifikationer för fläkten och motorn framgår av typskylten.

Max. säkring = 13 A.

Om säkringen är en	... ska den ha karakteristiken
smältsäkring	gG eller gM.
automatsäkring	B eller C och uppfylla SS-EN 90947-2.

Max kortslutningsström är 10 kA

Vid uppstart och reglering av ventilationsanläggningen är det viktigt att kontrollera motorns cirkulationsriktning och att strömförbrukningen ej överstiger märkströmmen på typskylten eftersom det medför att motorn överbelastas.

Huvudströmbrytare



EXHAUSTO A/S ber dig observera att i enlighet med Maskindirektivet (bilaga 1) skall en huvudströmbrytare installeras vid fast montering av fläkten.

Huvudströmbrytaren skall...

- vara låsbar eller placeras synlig i närheten av fläkten.
- kunna bryta alla polerna för matningsspänningen
 - kontaktavstånd minst 3 mm för varje pol.
- utföras som huvudströmbrytare enligt IEC 60947-1 eller IEC 60947-3

Huvudströmbrytaren ingår inte i leveransen från EXHAUSTO.

Åskledare...

... ska monteras enligt gällande lagar och bestämmelser.

1.3.1 Fläktar utan EC-styrning

Elanslutning

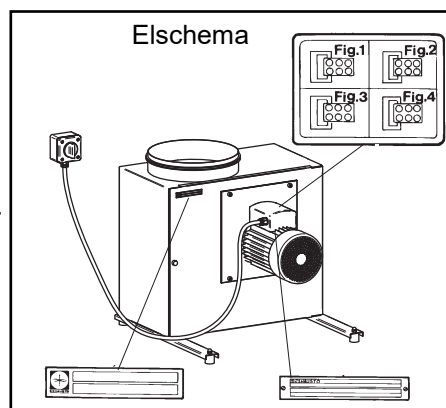
Elanslutning ska göras i enlighet med elschemat som sitter i locket på motorns anslutningsbox.

1.3.1.1 BESF146-4-1, BESF160-4-1


Alla 1-fas fläktar har reglerbar spänning. Motorn är utrustad med termosäkring. Termosäkringen är seriekopplad med motorns strömkrets från fabriken (elschema i anslutningsboxen fig. 1).

Om manuell återställning vid termiskt avbrott önskas ska elschema användas, fig. 2, där termosäkringen används i styrkretsen till en strömbrytare.

Motorn är överbelastningskyddad.



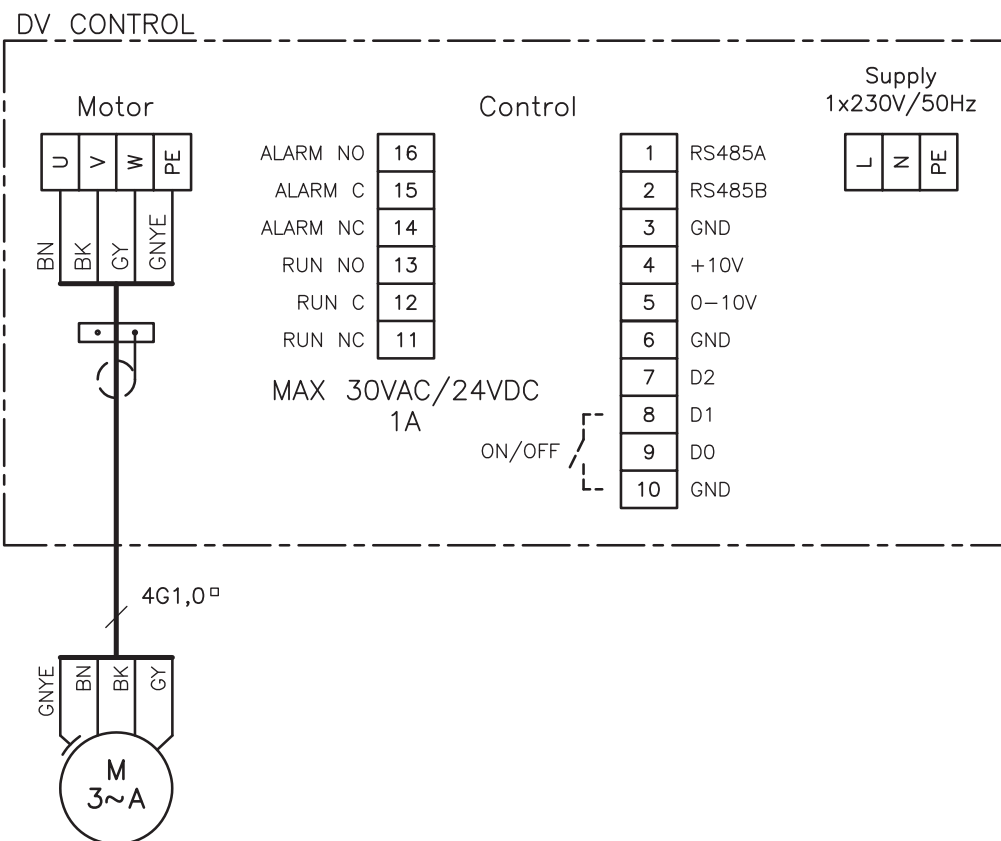
1.3.2 Fläktar med EC-styrning

- Allmänt** Alla fläktar med typbeteckningen "EC" är reglerbara genom den inbyggda EC-styrningen.
- Kablar** De ledningar som ska anslutas till ingångarna för styrsignaler ska i hela sin längd ha förstärkt isolering i förhållande till matningsledningarna.
- OBS** På grund av EMK-kraven får kabeln mellan EC-styrningen och EC-motorn inte förlängas.
- ESD**  **Elektrikern ska vara skyddad mot elektriska urladdningar (ESD-skyddad)**
- när locket tas bort från EC-styrningen
 - under arbete med EC-styrningen

1.3.2.1 BESF180-4-1EC2, BESF200-4-1EC2, BESF160-2-1EC2, BESF225-4-1EC2 & BESF250-4-1EC2

- Kabeltyp** Kablar för styrsignaler skall vara med parade ledere. Kabeltypen ska minst vara en CAT5e Ethernet kabel.

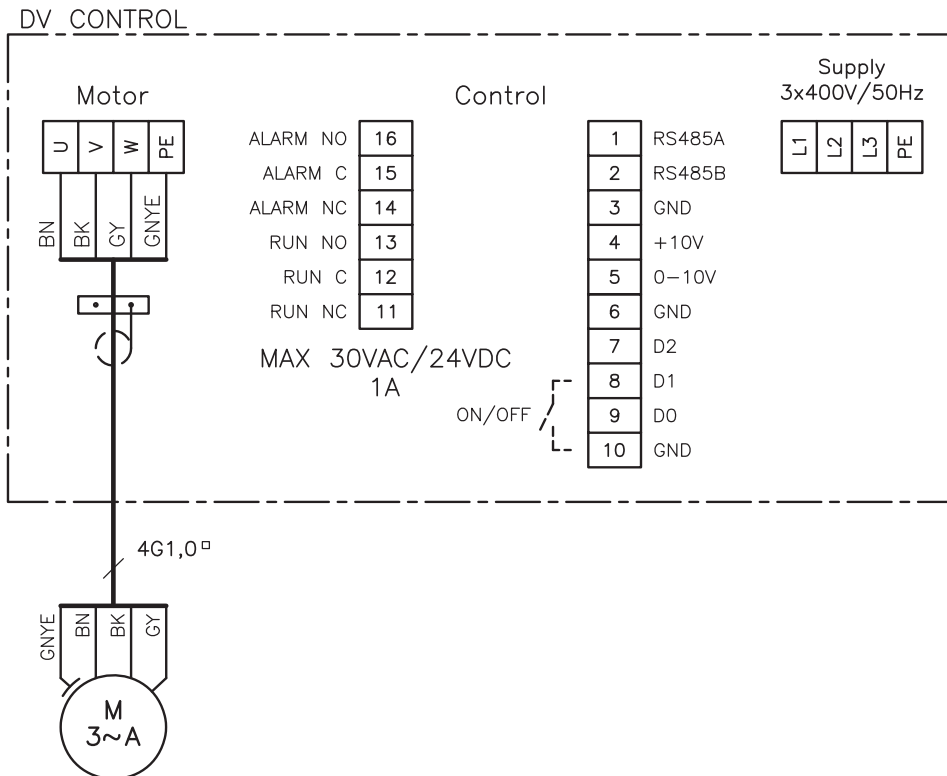
Diagram



1.3.2.2 BESF280-4-3EC

Kabeltyp Kablar för styresignaler ska vara skärmade.

Schema



Förklaring till schema

Klämma		
OJ DV Control	EFC1P/EFC1P2 Panel	Signalbeskrivning
1		RS485 (+A)
2		RS485 (-B)
3		0V DC (chassi)
4	5	+10V DC
5	4	0-10V DC
6	3	0V DC (chassi)
7		-
8	2	Start/stopp
9		-
10		0V DC (chassi)
11		Run NC
12		Run C
13		Run NO
14		Alarm NC
15	B	Alarm C
16	A	Alarm NO

RD14173-01

Läckström

EC-styrningen avger läckström under drift. Läckströmmen ska ledas till jorden eftersom det annars finns risk för att motorn blir spänningsförande.

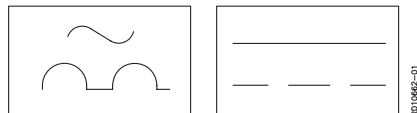
RCD-skydd på 300 mA rekommenderas eftersom läckströmmar över 30 mA kan förekomma.

För att uppfylla EN50178 ska fläkten anslutas till förstärkt jord.

Jordfelsbrytare

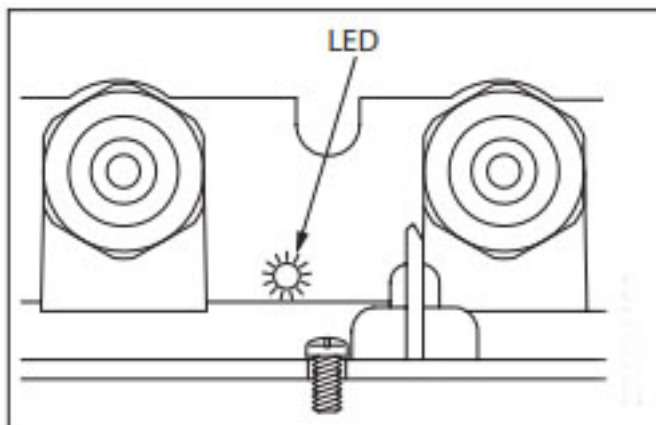
Om man monterar jordfelsbrytare i installationen, skall dessa vara av en typ som uppfyller följande krav:

- PFI-brytare av typ B enligt EN61008, som bryter när den registrerar en felström med likströmskomponent (pulserande likström) och glättad felström.
- Jordfelsbrytarna ska vara märkta med följande symboler:



1.3.3 Felsökning för DV-EC-styrning

DV-EC-styrning



LED-indikeringar

- DV-EC-styrning har en 2-färgad, grön- och rödfärgad, LED-indikering för olika driftlägen.
- LED-indikering är placerad på undersidan av styrningen, bredvid nätanslutningens kabelingångar.

Felsökning

- Fast grönt sken vid nätanslutning.
- Blinkar grönt vid aktiv Modbus-kommunikation.
- Konstant röd vid minst ett kritiskt larm
- Blinkar rött vid minst ett icke-kritiskt larm
- LED felindikation:
 - 1 blinkning = försörjningsproblem
 - 3 blinkningar = internt DV-problem
 - 5 blinkningar = motorproblem

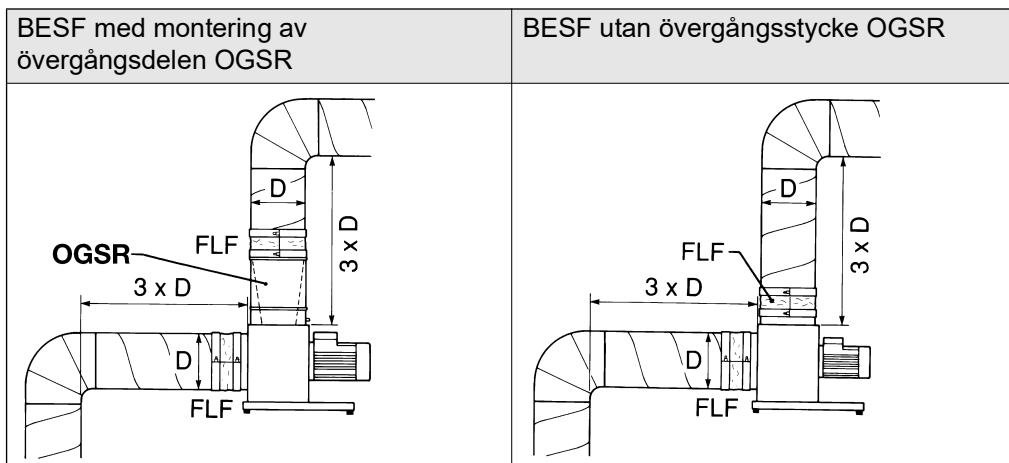
Tilbehör

- En tillbehörsterminal för drift og alarm information kan köpas som tillbehör.

1.4 Kanalanslutning

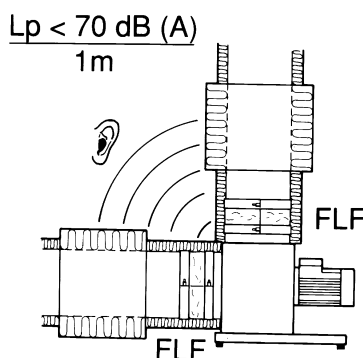
Kanaler

För att maximal effekt ska uppnås ska fläkten anslutas till kanalsystemet med en kanal med angiven längd före och efter fläkten. Flexibla förbindelser av typ FLF ska alltid användas för att undvika att eventuella vibrationer överförs. Stosarna på fläkten och övergångsdelen OGSR är monterad med gummitätning.



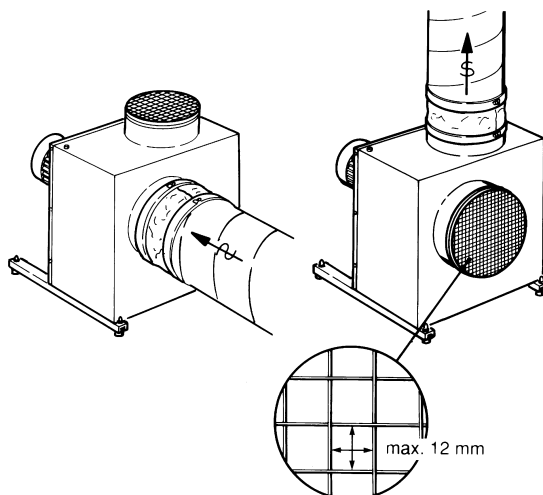
Ljud

Fläkten monteras med ljuddämpare i förhållande till kraven som gäller inom det område där den ska användas. Ljudtrycknivån mot omgivningen ligger för alla typer av BESF under 70 dB (A). När kanalsystemet isoleras ska hänsyn tas till ljudutsträngning, värmeavgivning och kondensation.



Skyddsnet

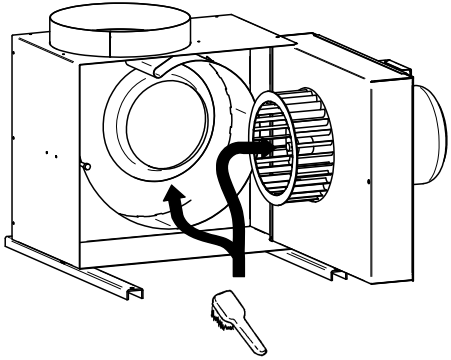
Om fläkten ställs upp utan kanalanslutning ska ett skyddsnet monterats (extra tillbehör) med största maskvidd på 12 mm.



1.5 Service och rengöring

Rengöring

Fläkten rengörs vid behov, dock minst var 6:e månad, på följande sätt:

Steg	Åtgärd	
1	Bryt strömmen till fläkten med huvudströmbrytaren.	
2	Serviceluckan öppnas.	
3	Fläkthus och centrifugalhjul tvättas grundligt med såpvatten. Delarna ska vara torra innan fläkten startas och den får INTE startas med öppen servicelucka.	
4	Centrifugalhjulet kan demonteras och rengöras. Mät ut hjulets placering på axeln före demontering. Eventuella balanseringsvikter på centrifugalhjulet får inte tas bort. Kontrollera att det finns fri tillgång på kylluft genom motorpanelen.	

Varning!



Om det förekommer vibrationer i fläkten kan dessa orsakas av obalans p.g.a. att centrifugalhjulet är nedsmutsat.

Garanti

EXHAUSTO lämnar 2 års fabriksgaranti på fläkten, räknat från fakturadatum.

1.6 Miljödeklaration

Produktbeskrivning

EXHAUSTO BESF är en radialfläkt som är lätt att serva med framåtriktade rotorblad. Fläkten är brand-, ljud- och värmeisolerad med 30mm mineralull. Fläkthjulet är monterat direkt på motoraxeln, vilket minskar förluster och innebär färre slitagedelar och därmed lägre reparationskostnader.

Service och rengöring sker genom att öppna den gångjärnsförsedda luckan. Därmed erhålls åtkomst till alla delar som är i kontakt med luften. Motorn är monterad utanför luftströmmen.

Till fläkten medföljer stödskenor med vibrationsdämpare. Fläkten är CE-godkänd och ERC-testad i enlighet med gällande direktiv.

Konstruktionsmaterial

Fläkthus, skruv, fläkthjul samt stödskenor är tillverkade av varmgalvaniserad stålplåt som kan återvinnas. Isoleringen består av mineralull som kan återanvändas vid demontering av fläkten. Tätningslisterna består av CFC- och HCFC-fri cellgummi. Motorn består av aluminium, stål och koppar och eventuellt en kylmantel av plast. Emballaget består av wellpapp.

Materialöversikt

	BESF146	BESF160	BESF 160EC2	BESF 180EC2	BESF 200EC2	BESF 225EC2	BESF 250EC2	BESF 280EC
Aluminium	10%	10%	13%	10%	8%	11%	10%	9%
Järn	75%	76%	70%	74%	75%	75%	78%	77%
Koppar	4%	4%	2%	2%	2%	3%	4%	4%
Mineralull	6%	6%	4%	5%	6%	5%	5%	5%
Kretskort; elektronik- komponenter	1%	1%	7%	7%	6%	4%	2%	3%
Plast, cellgummi	1%	1%	1%	< 1%	1%	< 1%	1%	< 1%
Annet	2%	2%	3%	2%	2%	2%	1%	1%



Scan code and go to addresses at
www.exhausto.com